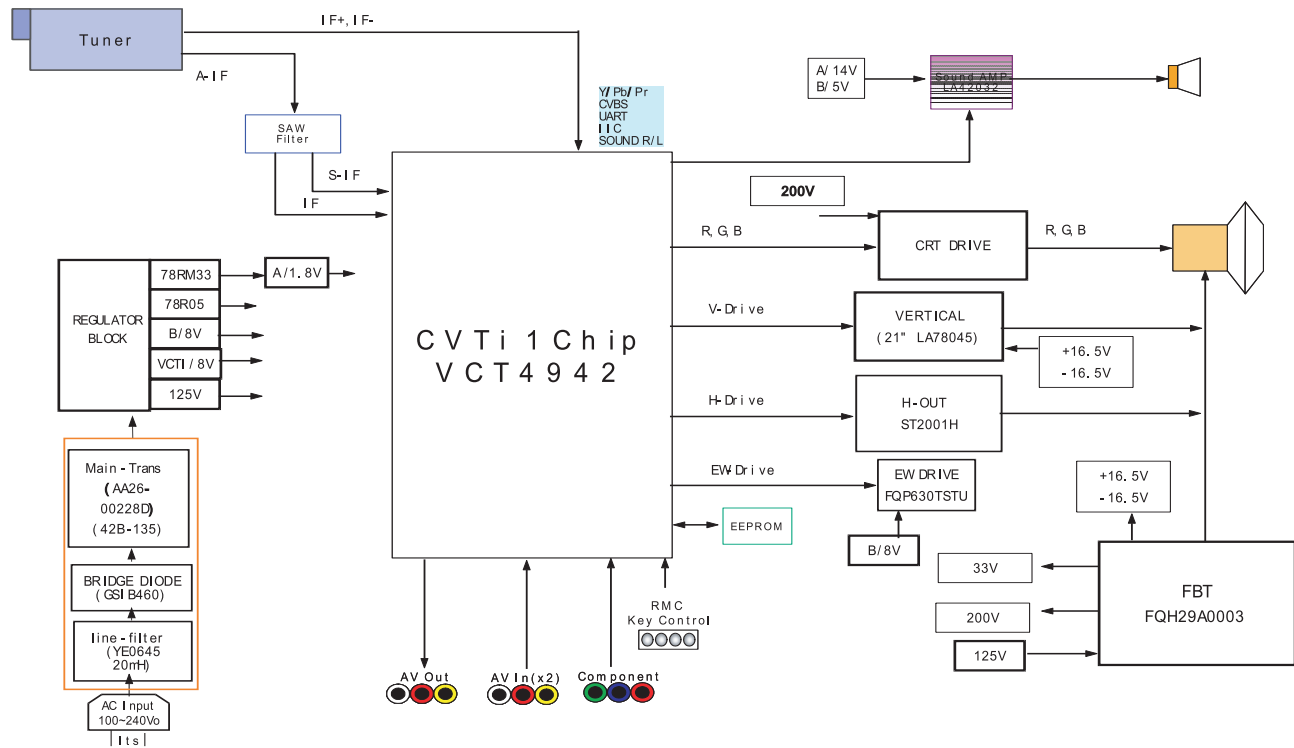


7. Schematic Diagram

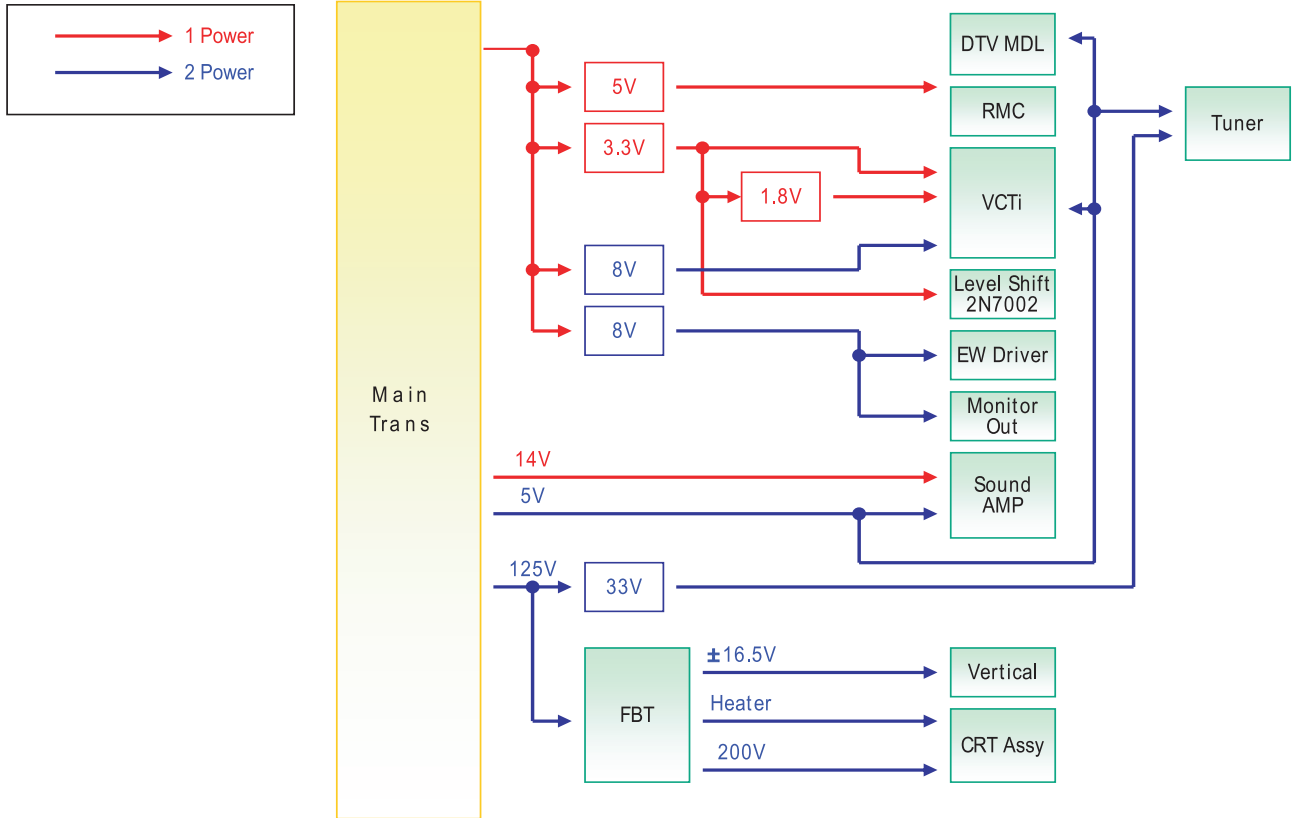
7-1 Circuit Description

7-1-1 Overall Block Description



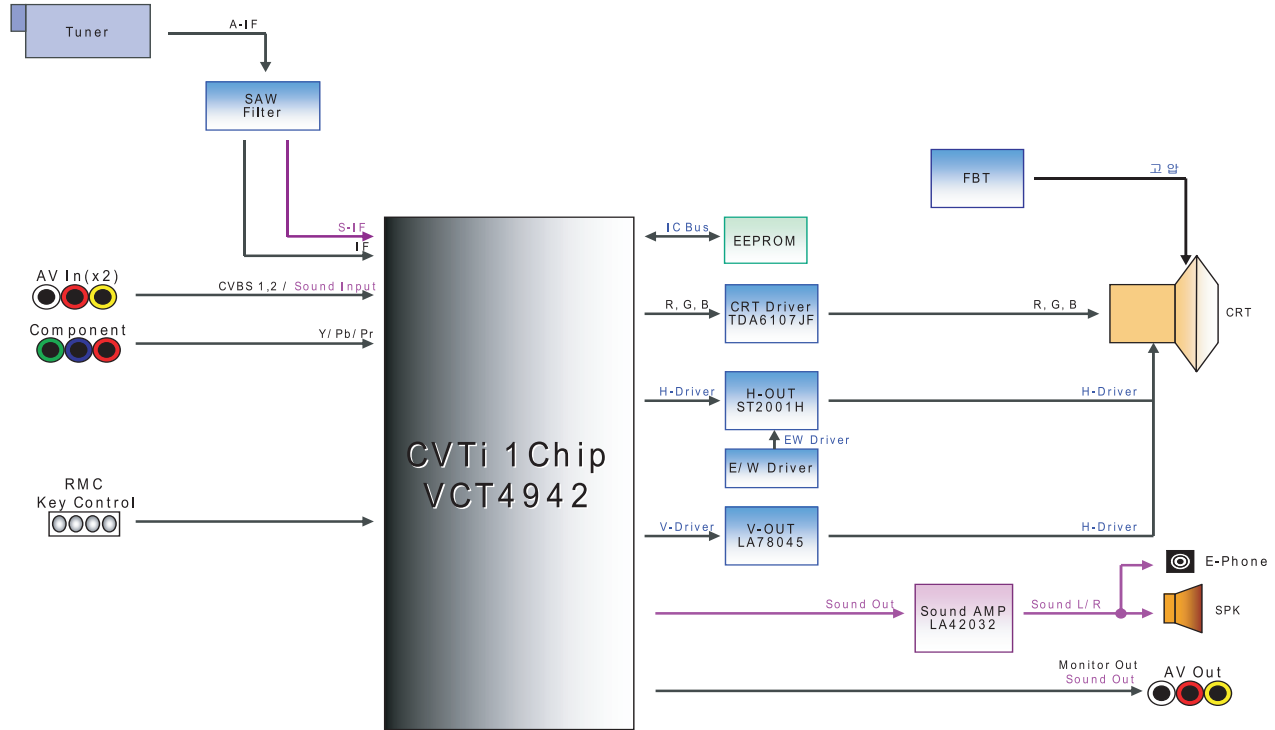
Part	Function
VCTi 1Chip	Treat IF+MICOM+VIDEO+MSP+Switching function.
DTV Module	Treat Channel, MPEG Decoder, AC-3 Decoder, CPU, Scaler, Video DAC, Audio function related to DTV signal.
VIDEO	Output video signal , input by Main Tuner and external equipment through VCTi Chip, as the final CRT R/G/B
SOUND	Output as Speaker through Audio Processing block and Sound AMP inside VCTi

7-1-2 Power Signal

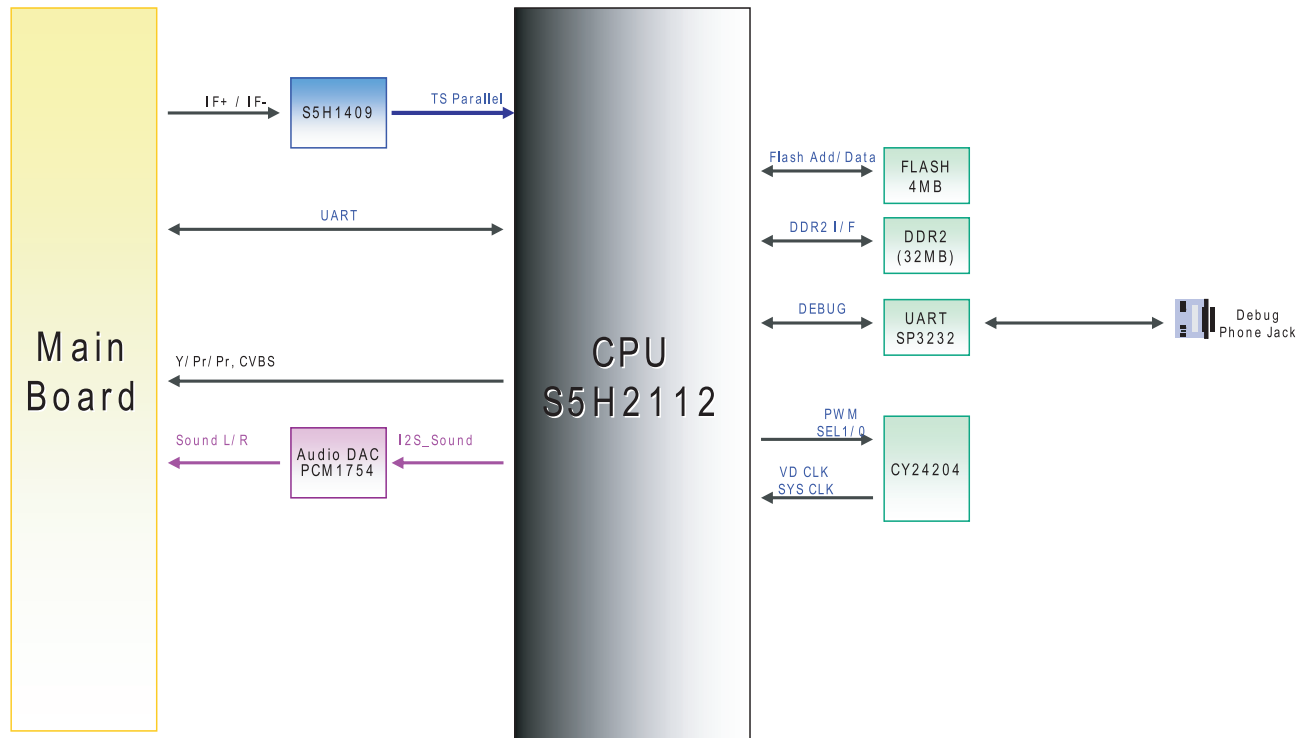


7-1-3 Partial Block Diagram

1. Main Block Description



2. DTV MDL Block Description

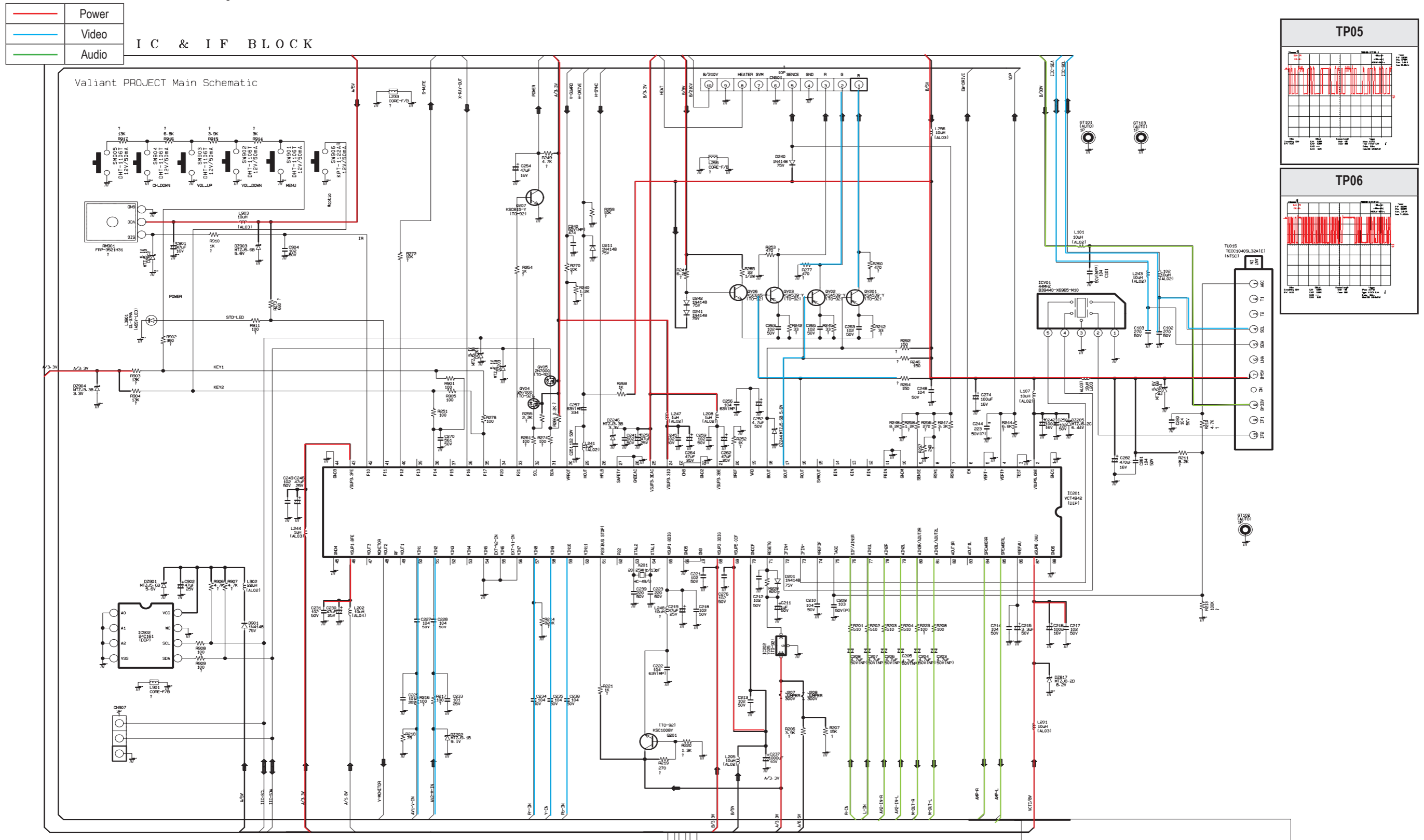


MEMO

7-2 Schematic Diagram

7-2-1 Main Board

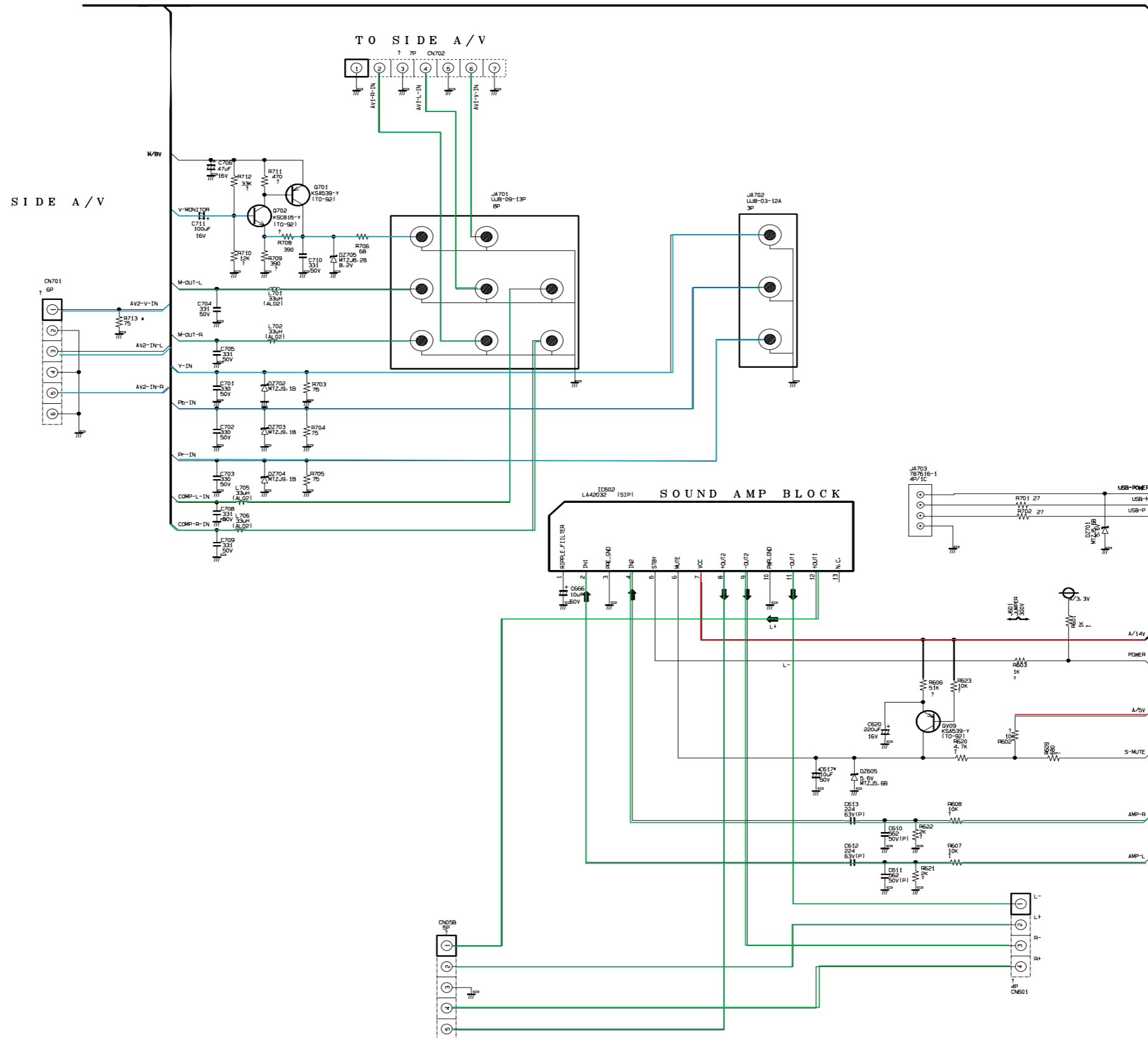
This Document can not be used without Samsung's authorization.



7-2-2 A/V & Sound Block

This Document can not be used without Samsung's authorization.

	Power
	Video
	Audio



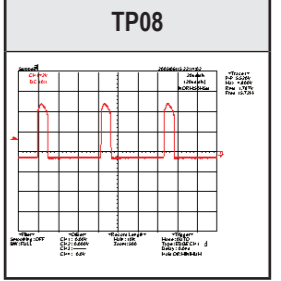
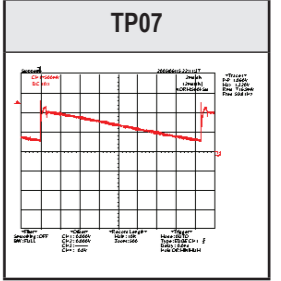
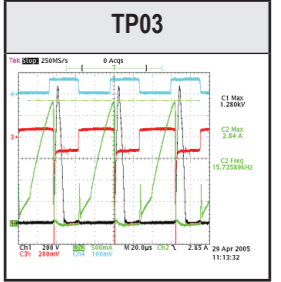
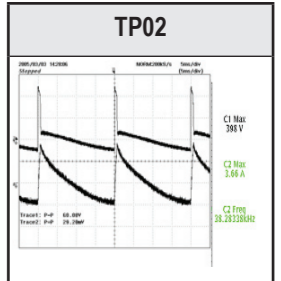
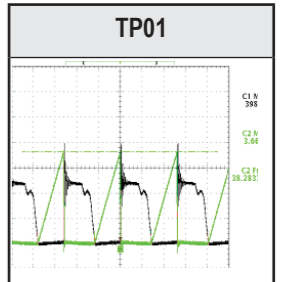
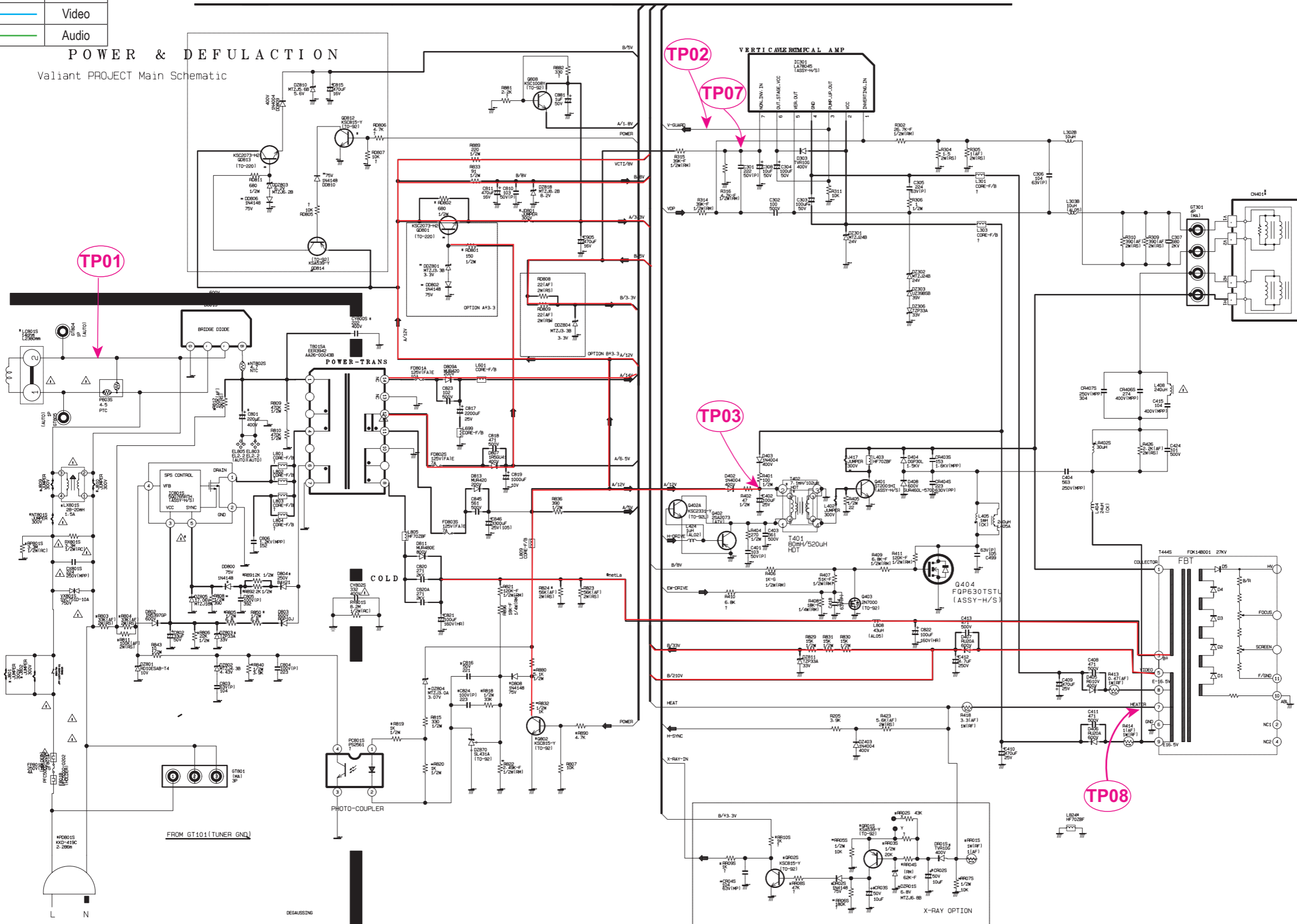
7-2-3 Power & Defulaction

This Document can not be used without Samsung's authorization.

—	Power
—	Video
—	Audio

POWER & DEFULACTION

Valiant PROJECT Main Schematic

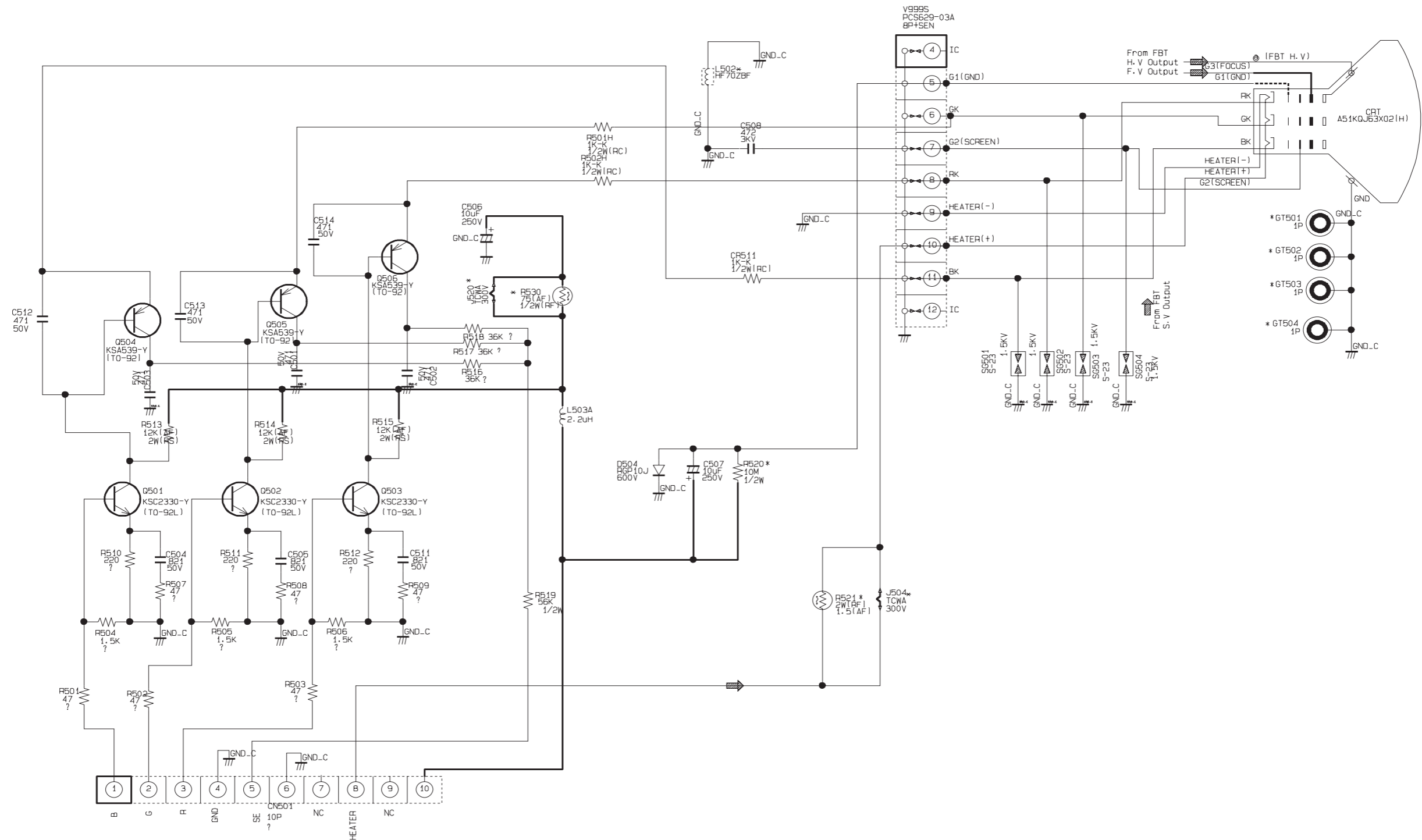


7-2-4 CRT Block

This Document can not be used without Samsung's authorization.

—	Power
—	Video
—	Audio

CRT (MAIN SUB CRT)



7-2-5 AV Board

This Document can not be used without Samsung's authorization.

	Power
	Video
	Audio

