

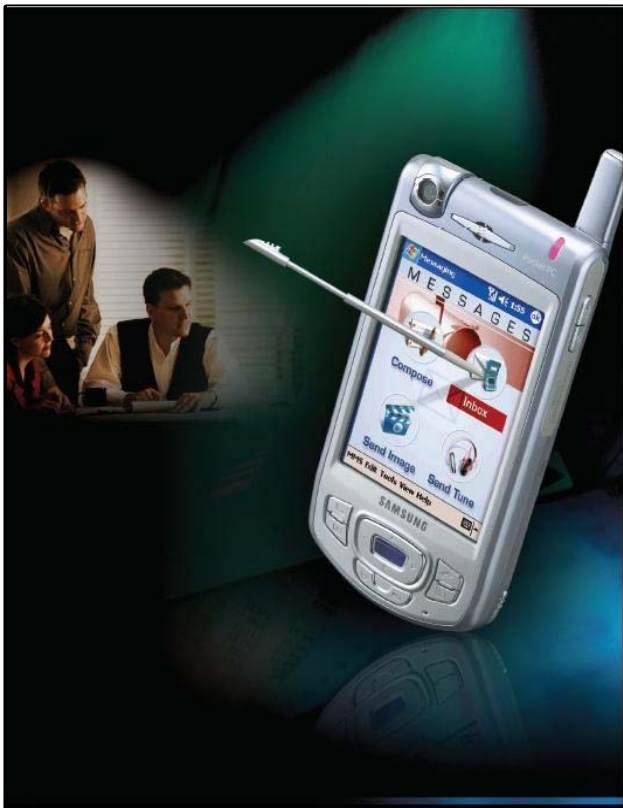
SAMSUNG

GSM TELEPHONE

SGH-i700

SERVICE *Manual*

GSM TELEPHONE



CONTENTS

1. Specification
2. Flow Chart of Troubleshooting
3. Exploded Views and Parts List
4. Electrical Parts List
5. Block Diagrams
6. PCB Diagrams

1. SGH-i700 Specification

1.1 PDA specification

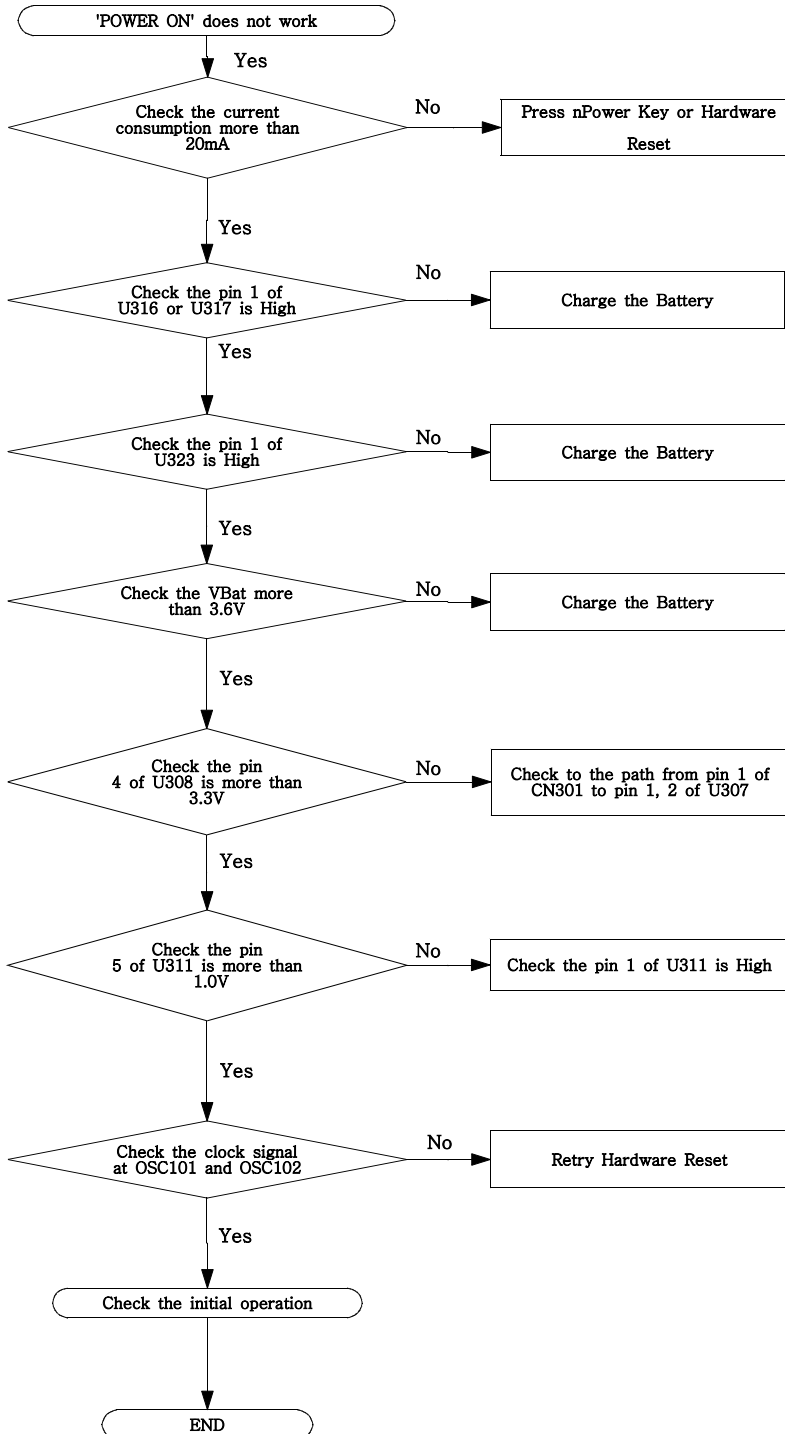
Parts Name		Description	Note
CPU		PXA255 Core : Intel(r) Xscale(TM) Core Frequencies : 100 ~ 400 MHz Clock : 3.6864 MHz, 32,768 KHz	
Memory	ROM	RD48F3300LOZDQ0, Flash Memory, 16M * 32 Bit	
	RAM	K4M513233, SDRAM, 4 Bank, 16M * 32 Bit	
LCD		Resolution : 240 * 320	
Audio CODEC		WM9705, 18-bit stereo audio, 4-wire touch screen	
Melody		YMU762, 40 poly	
SD Card		SPI Mode	
Camera		1/4" VGA CMOS Color Image Sensor, 640 * 480 Pixels, SPI Mode	
JTAG		IEEE 1149.1 Portocol support, Flash Programming Control	
Ethernet		Flash Programming Control	
UART		RS-232C	
IrDA		STUART;s transmit and receive	
Battery	Main	Standard/Extend Capacitance : 1050/2000mA	
	Backup	Capacitance : 30mA	
Speaker		Impedance : 8 Ω , Size : Φ 20 mm * 4.6t	
Receiver		Impedance : 32 Ω , Size : Φ 12 mm * 3.2t	
Motor		RPM 7000 ~12000, Size : Φ 14 mm * 3.4t	
Key Matrix		4 * 4	

1.2 Phone Specification

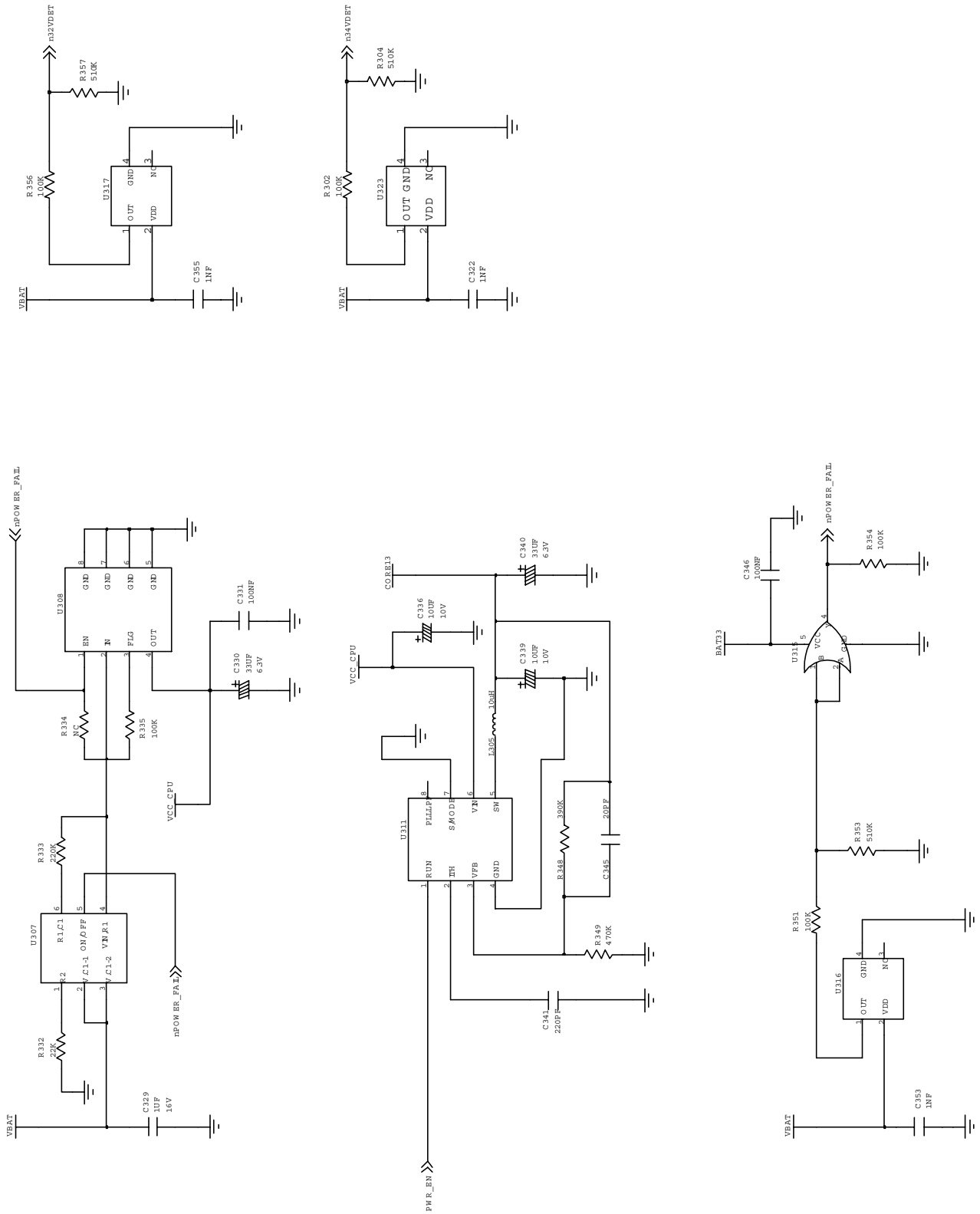
Parts Name	Description	Note
CPU	Trident EF version Core : DSP16000/ARM7IDM DSP Core : RAM(20k * 16), ROM(144K * 16) ARM CORE : RAM(4K * 32), ROM(2K * 32) Clock : 13 MHz, 32,768 KHz	
Memory	LRS1826A ROM : 4M * 16 Bit * 2 RAM : 2M * 16 Bit	
PMIC	Single-cell Li-Ion Charger, SIU, LED Driver Power-On/Off and reset control logic 8-bit ADC, Seven programmable low-drop-out regulators 1.8/3.0V SIM power supply and logic level translators	
CODEC	Supports GSM 2+ new feature : multislotting(GPRS and HSCSD) ADC and DAC function for baseband and voice band DAI(digital audio interface) 32.768 clock on-chip oscillator GMSK modulator(88/144 bits)	
RF Transceiver	Low-IF Receiver, Universal Baseband Interface Offset-PLL Transmitter Dual RF Synthesizer, GPRS Class 12 Compliant Serial Interface Dual and Triple-Band Support(GSM850/E-GSM900/DCS1800/PCS1900)	
PAM	Complete Power Control Solution Single 2.9V to 5.5V Supply Voltage GSM, E-GSM and DCS/PCS Products/GPRS Class 12 Compatible + 35dBm GSM Output Power at 3.5V/ + 33dBm DCS/PCS Output Power at 3.5V	
Diplexer	GSM : 897.50 ± 17.5 MHz DCS : 1747.50 ± 37.5 MHz GSM : 1880.00 ± 30.0 MHz	
JTAG	IEEE 1149.1 Protocol Support, Flash Programming Control	
UART	RS-232C	

2. SGH-i700 Flow Chart of Troubleshooting

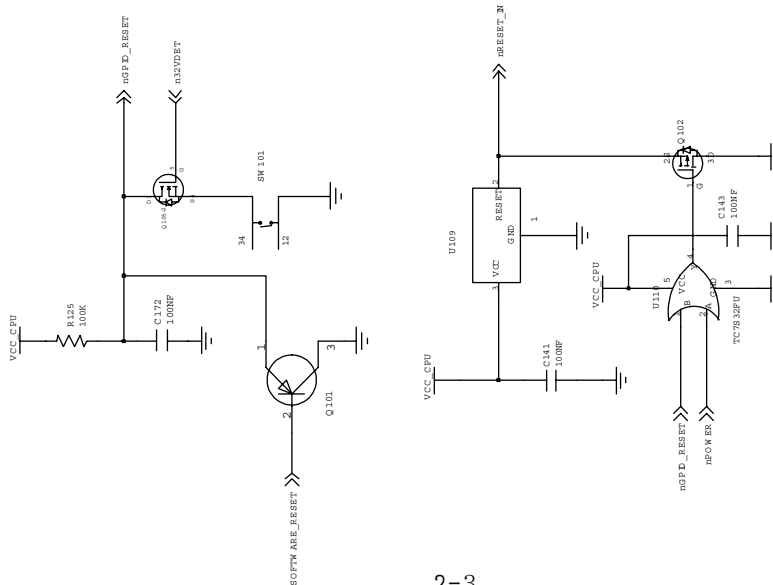
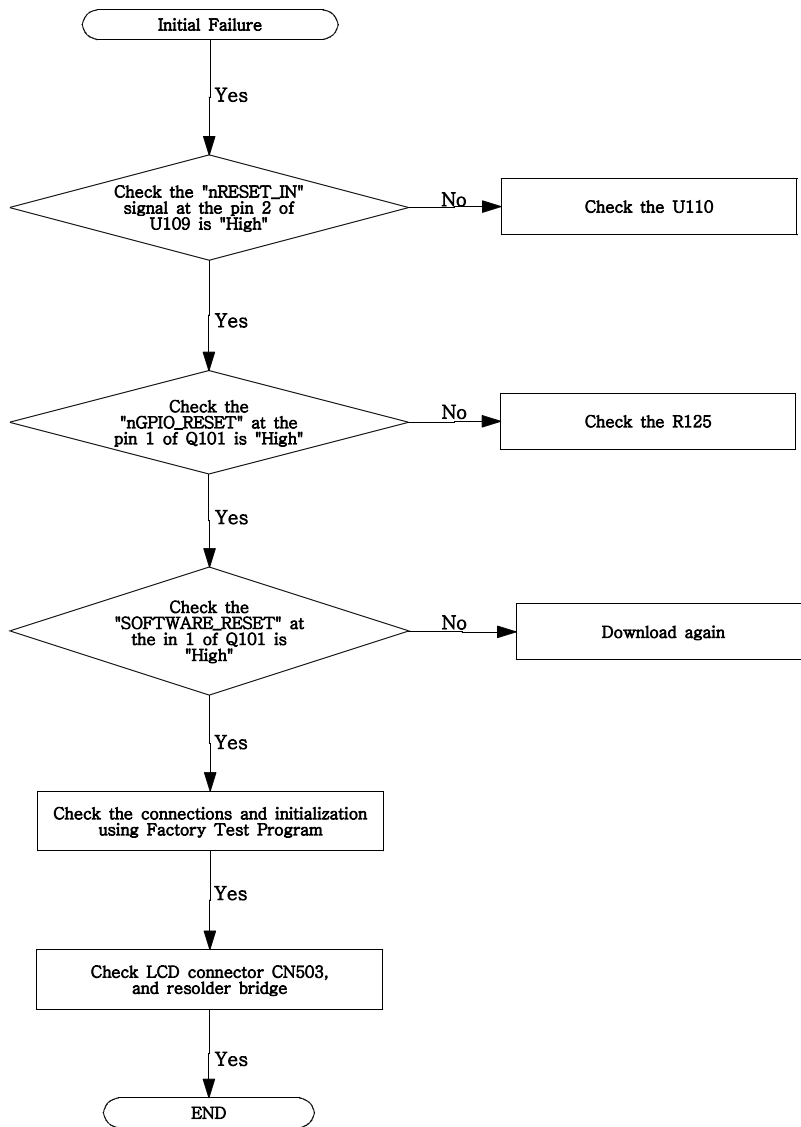
1.Power On



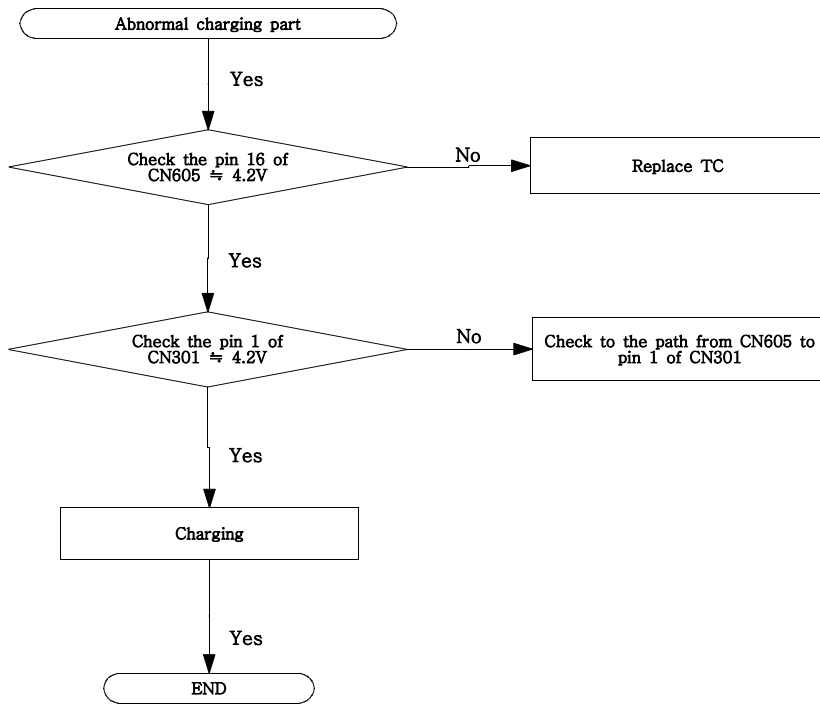
SGH-I700 Flow Chart of Troubleshooting



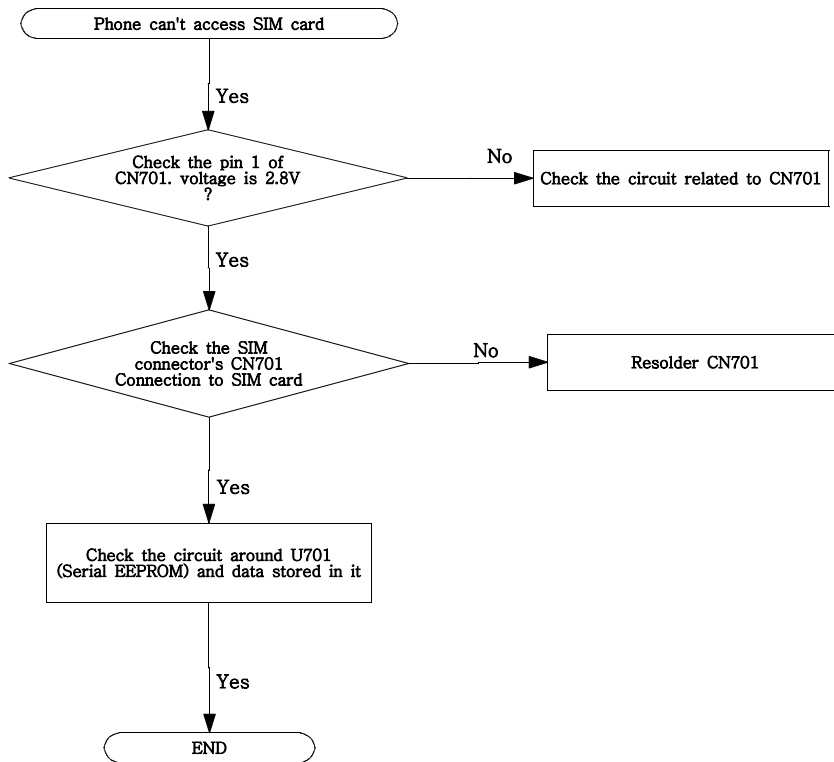
2. Initial part

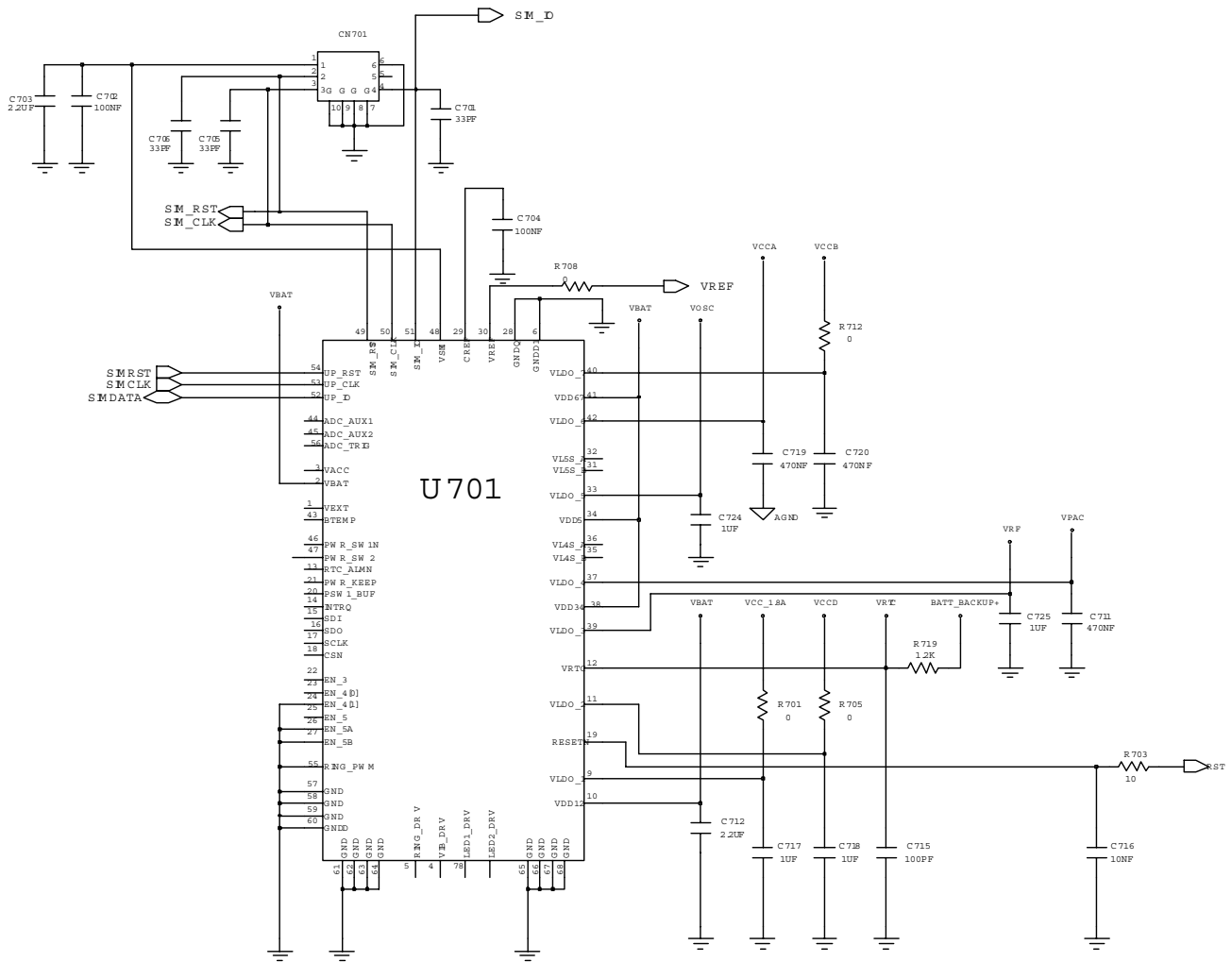


3. Charge Part



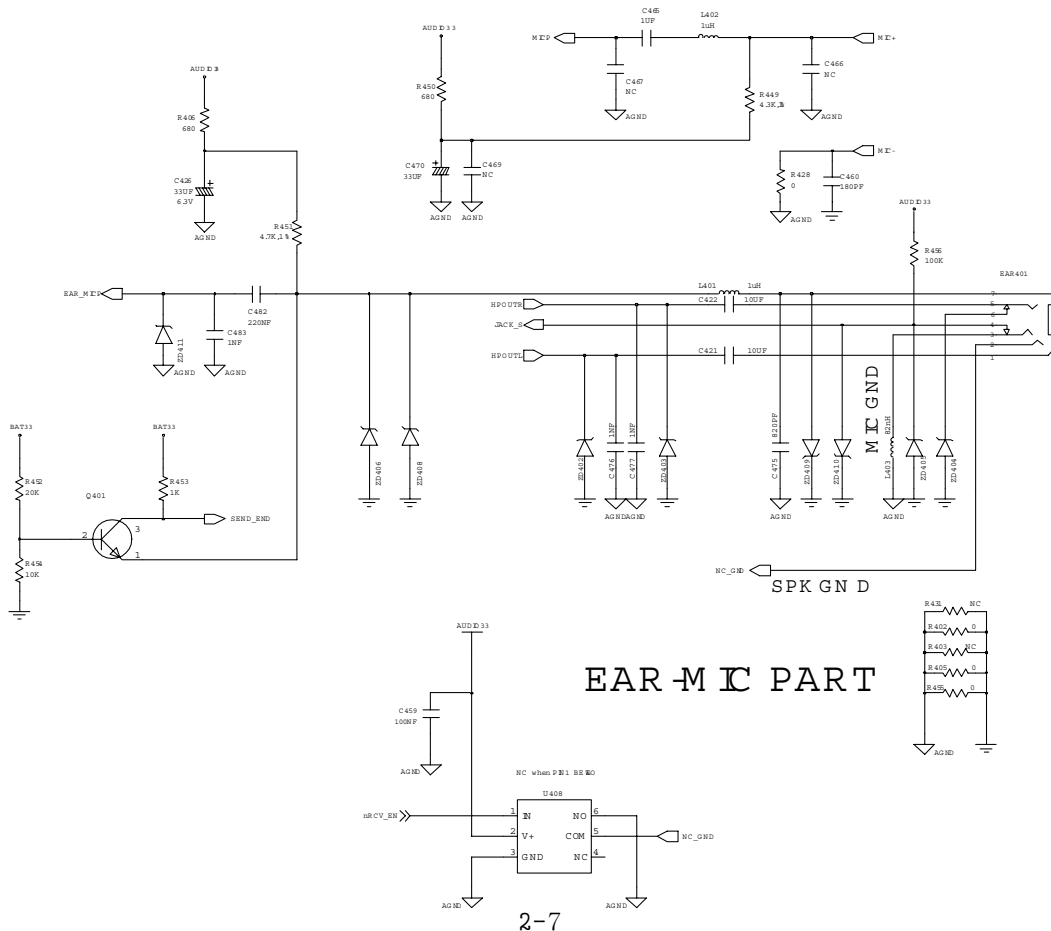
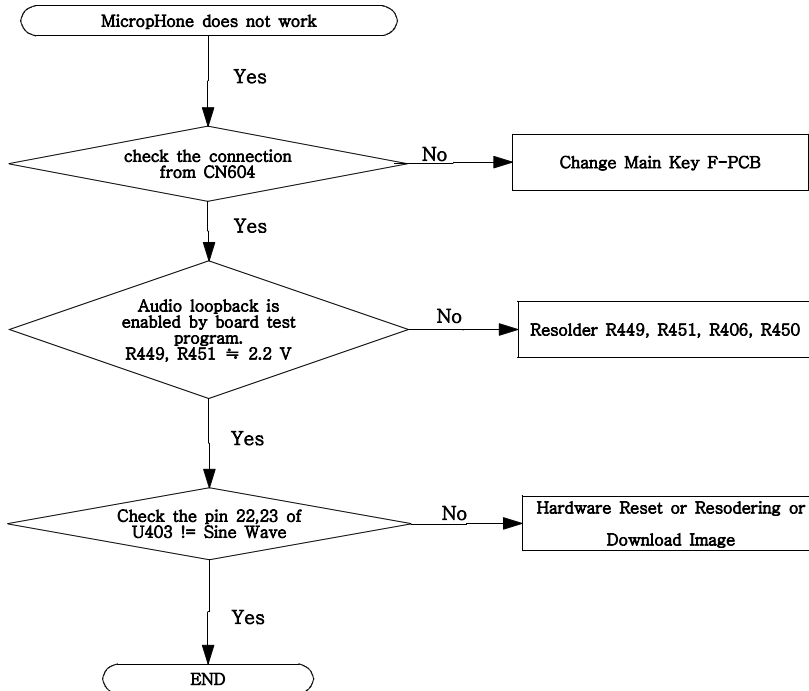
4. SIM Part



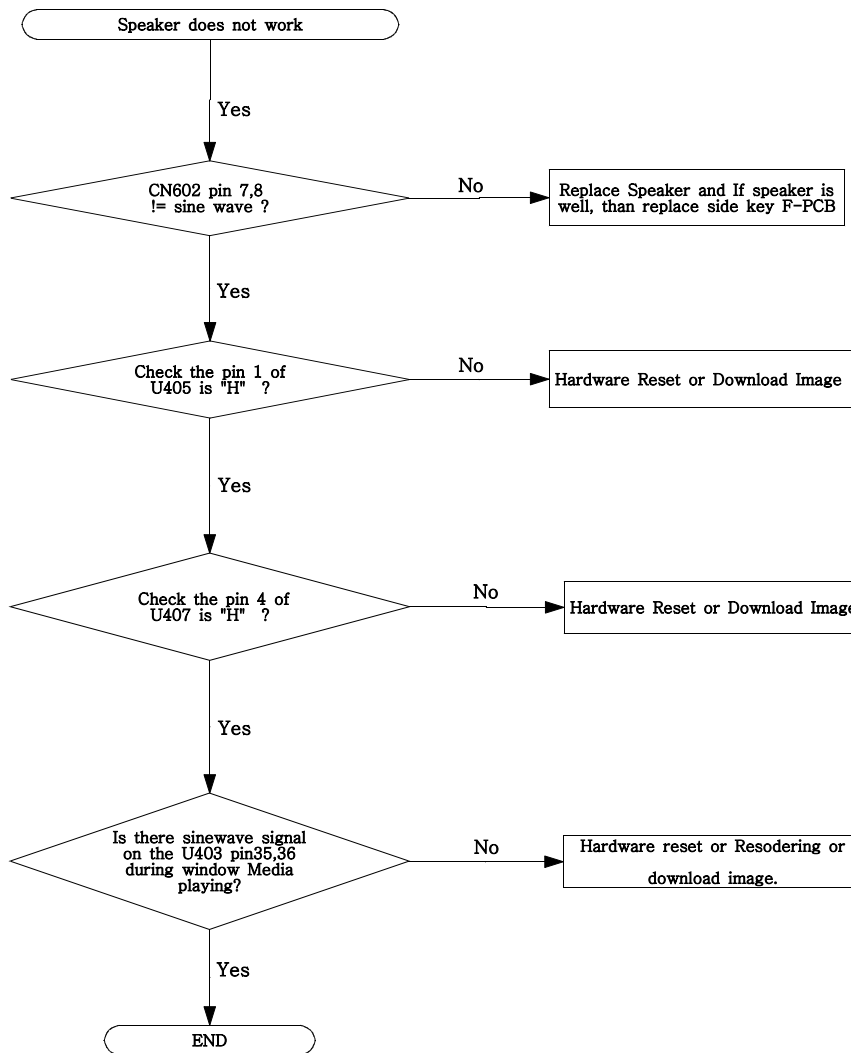


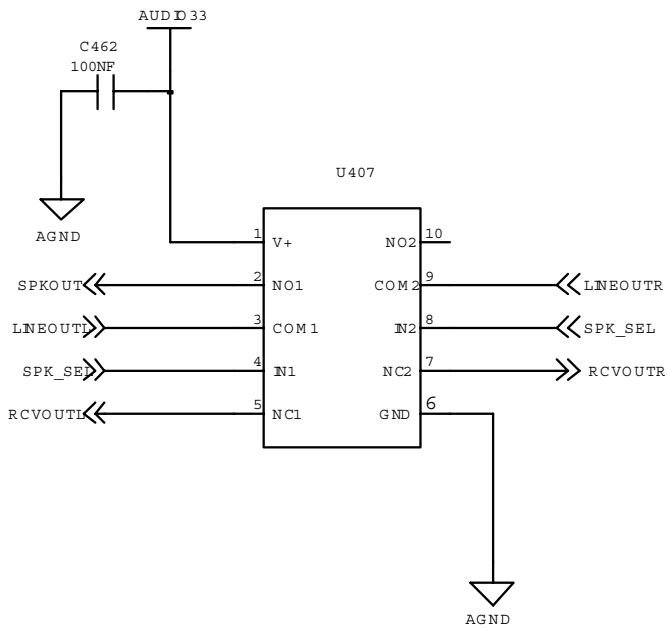
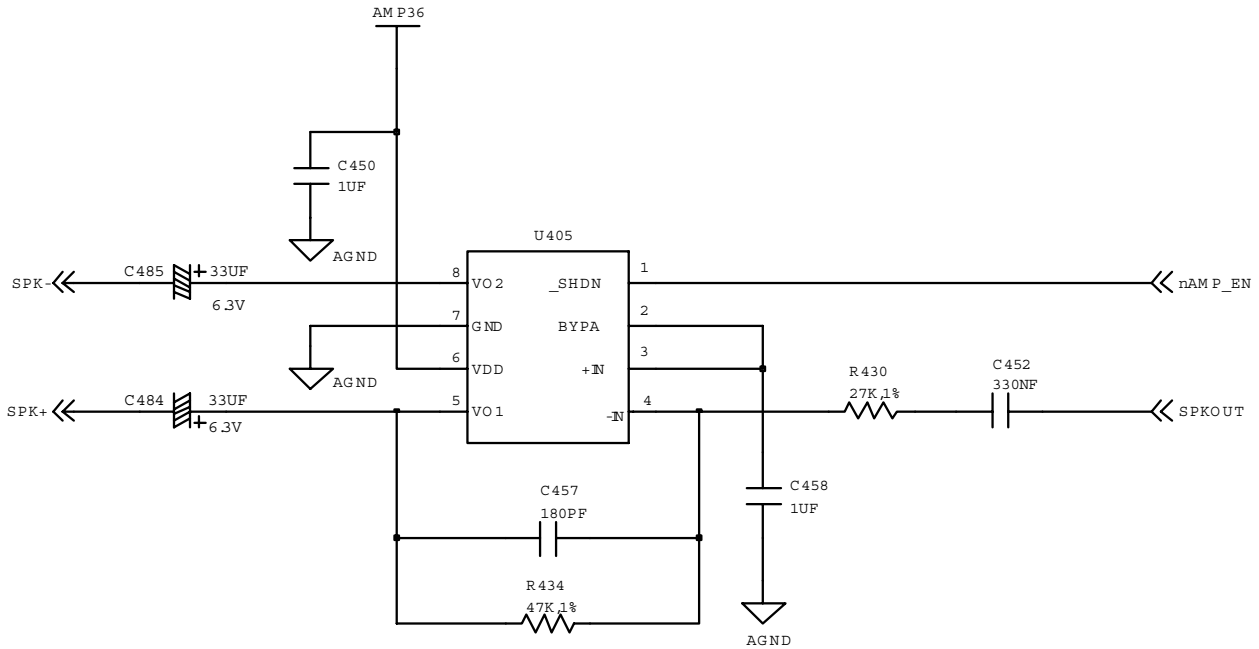
POWER

5. Microphone Phone

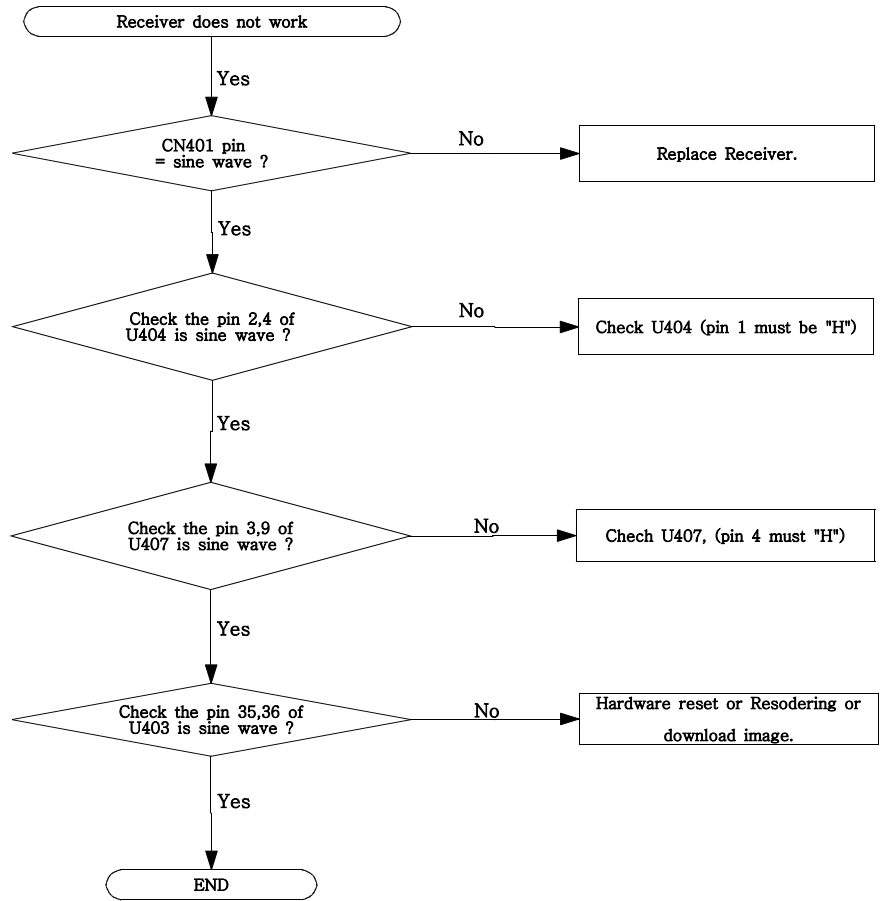


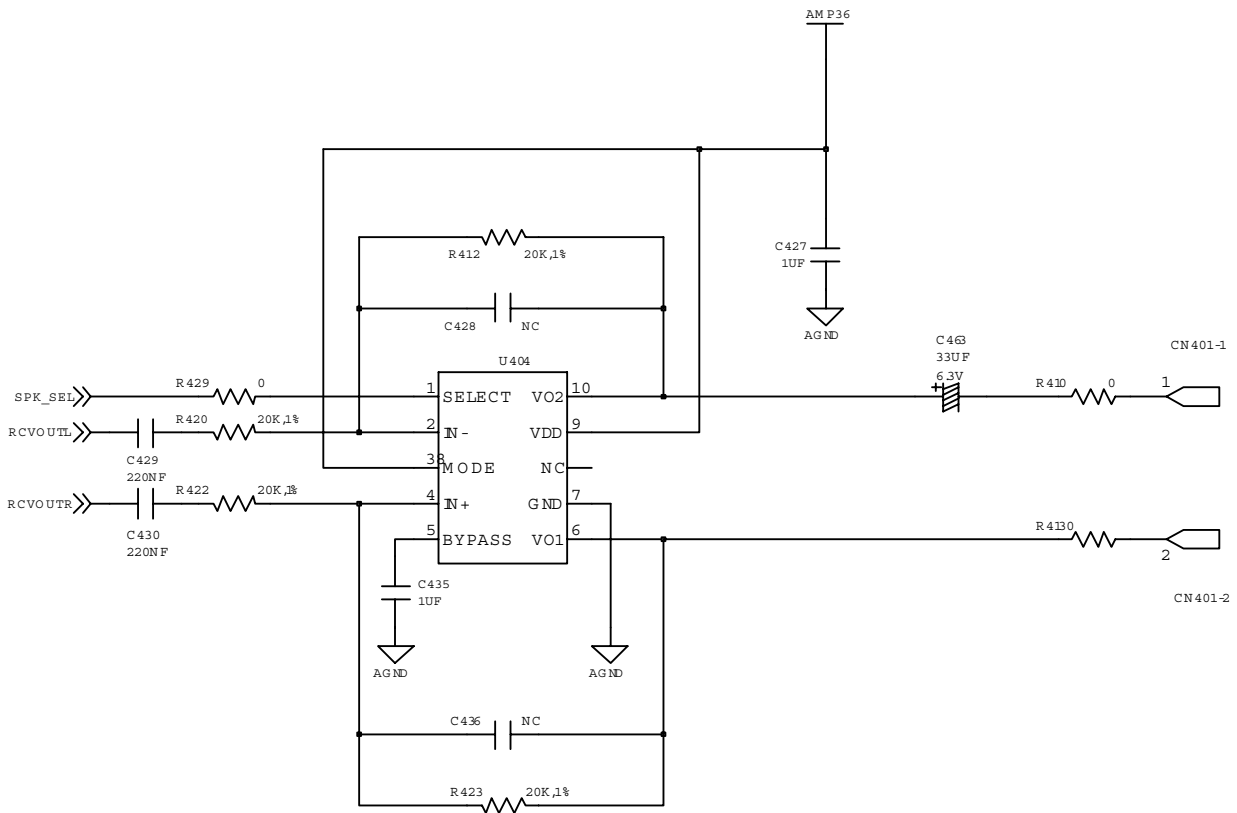
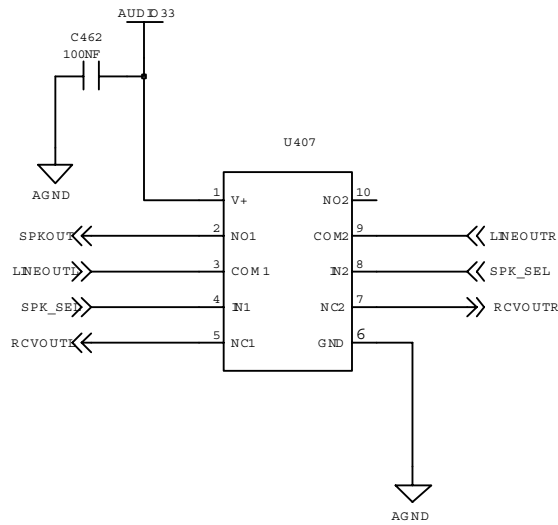
6. Speaker Part



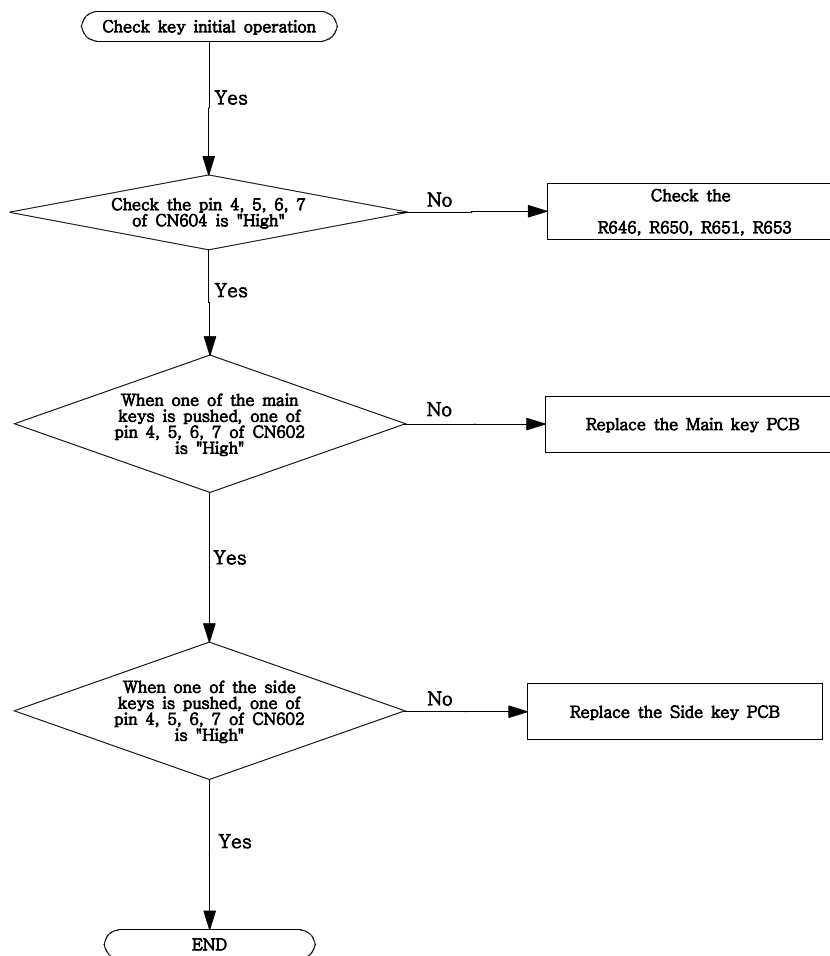


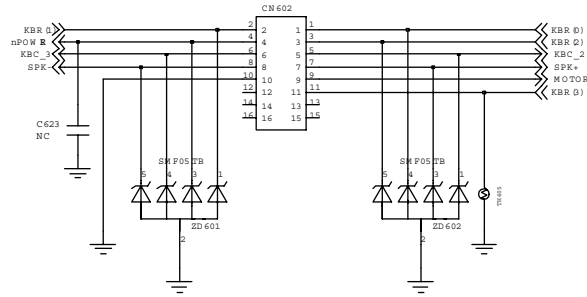
7. Receiver Part



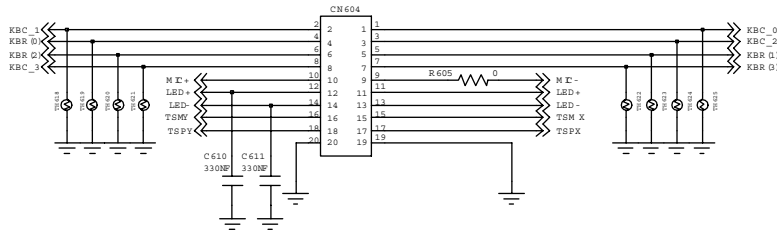


8. Key Matrix Part

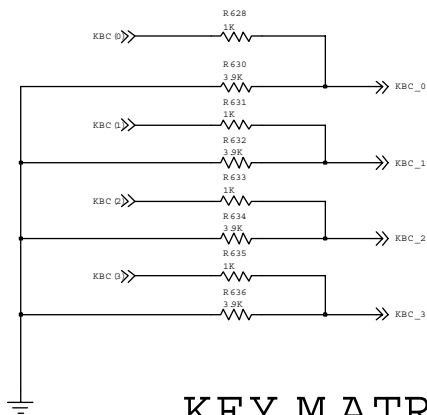




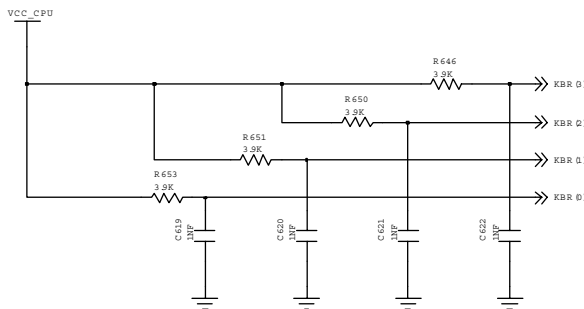
SIDE KEY



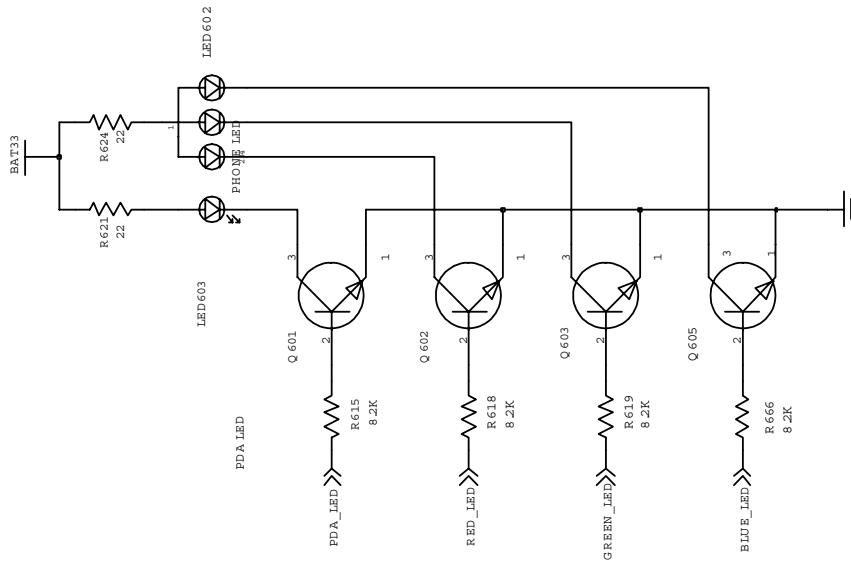
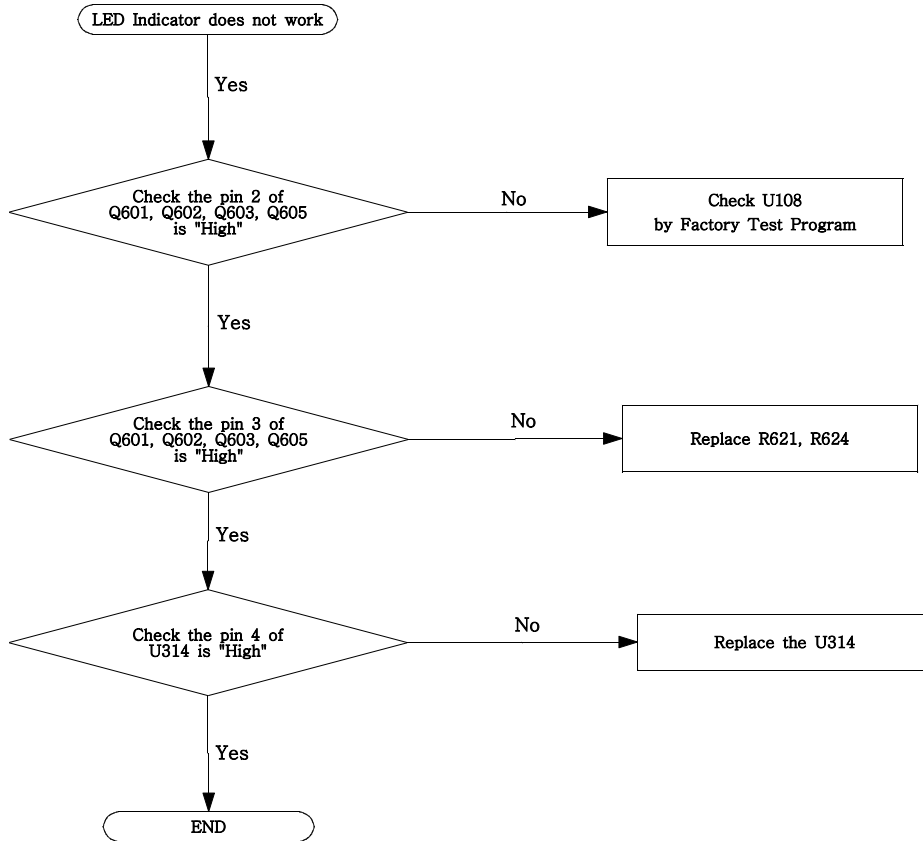
MAN KEY



KEY MATRIX

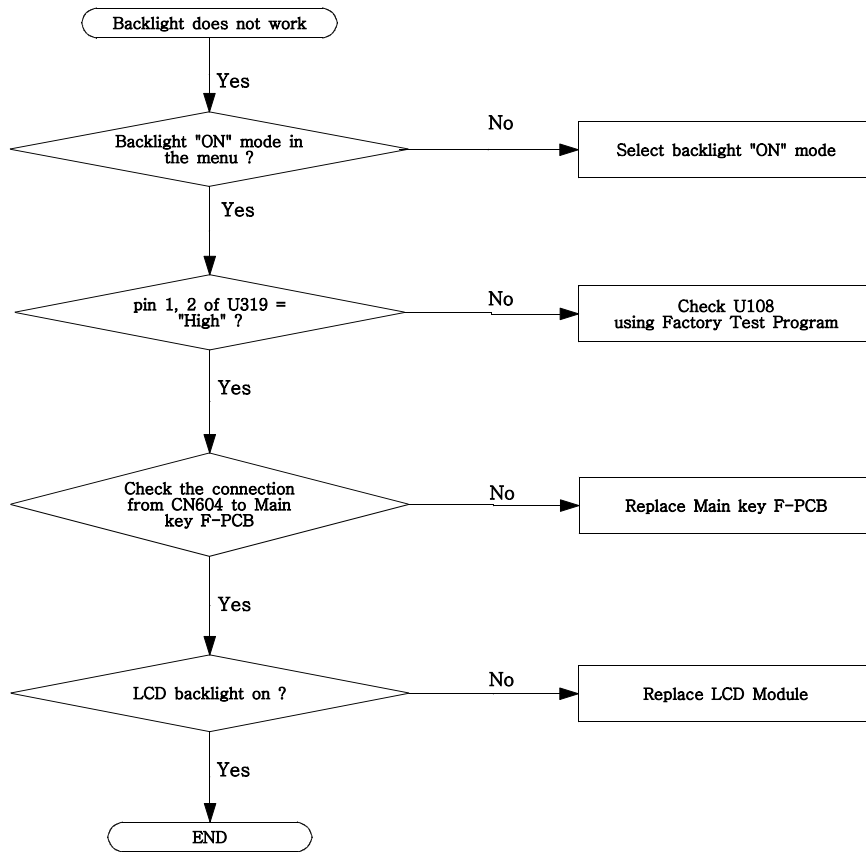


9. Led Indicator Part



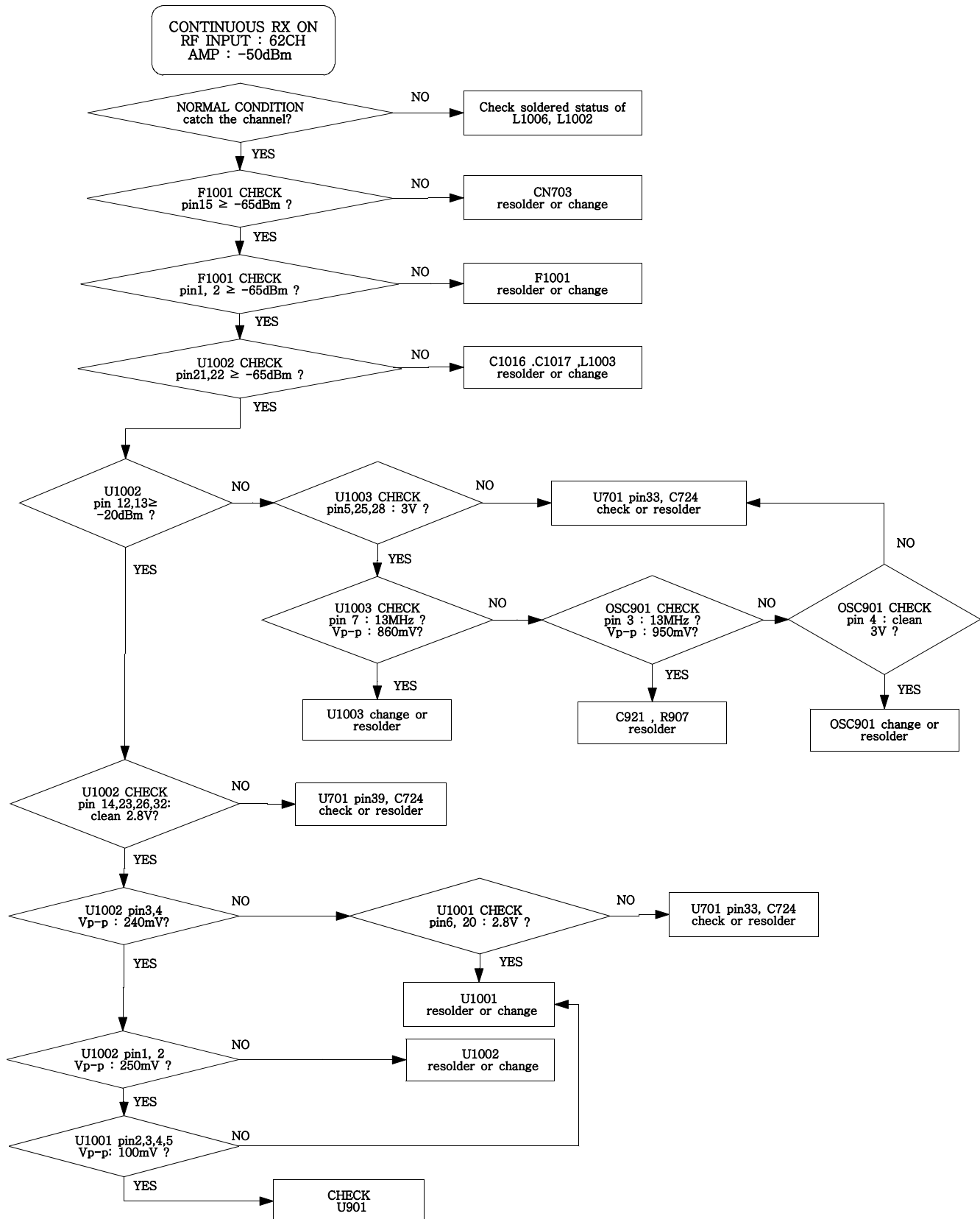
STATUS LED

10. Backlight Part

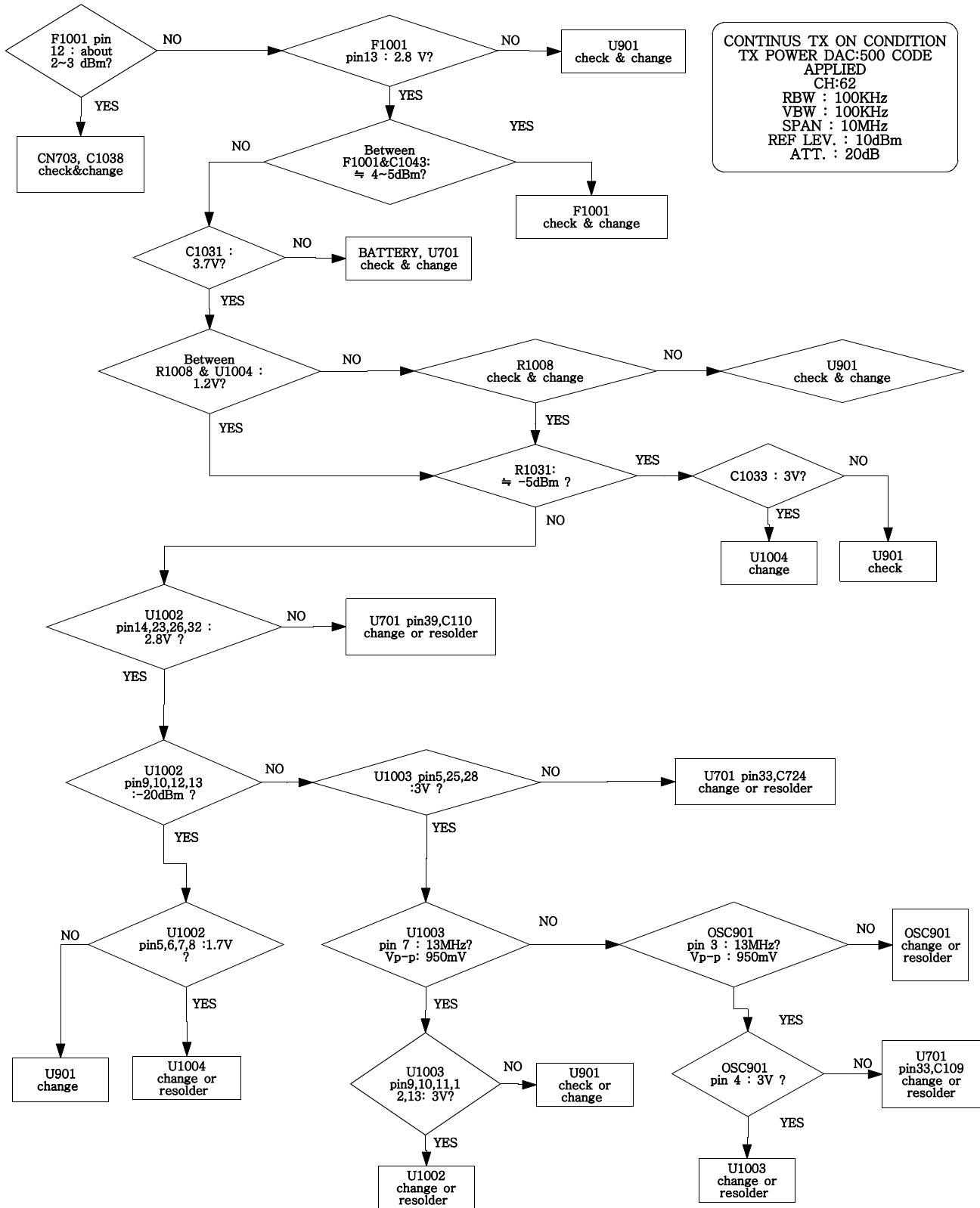


SGH-I700 Flow Chart of Troubleshooting

11. EGSM Receiver



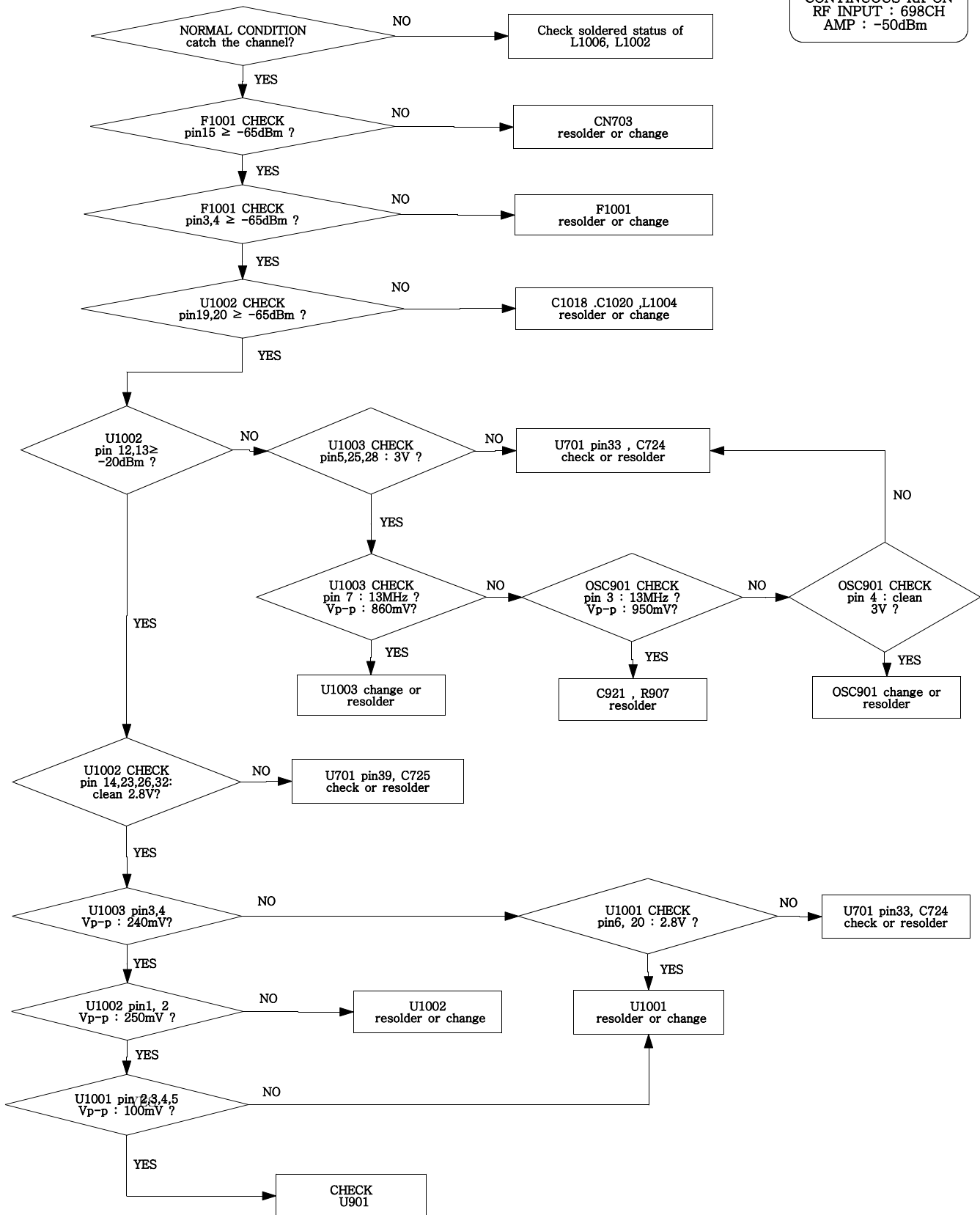
12. EGSM Transmitter



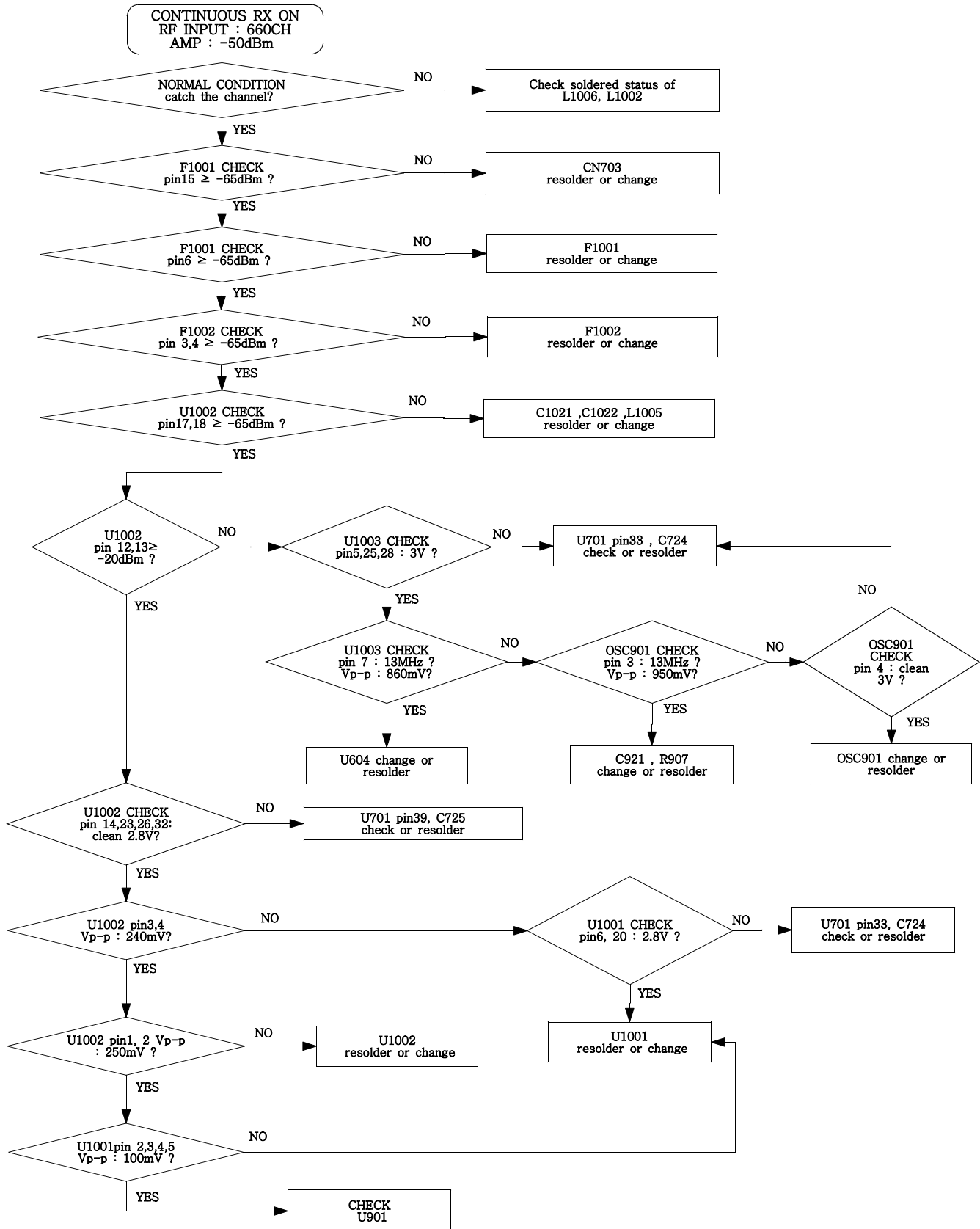
CONTINUS TX ON CONDITION
 TX POWER DAC:500 CODE
 APPLIED
 CH:62
 RBW : 100KHz
 VBW : 100KHz
 SPAN : 10MHz
 REF LEV. : 10dBm
 ATT. : 20dB

13. DCS Receiver

CONTINUOUS RX ON
RF INPUT : 698CH
AMP : -50dBm

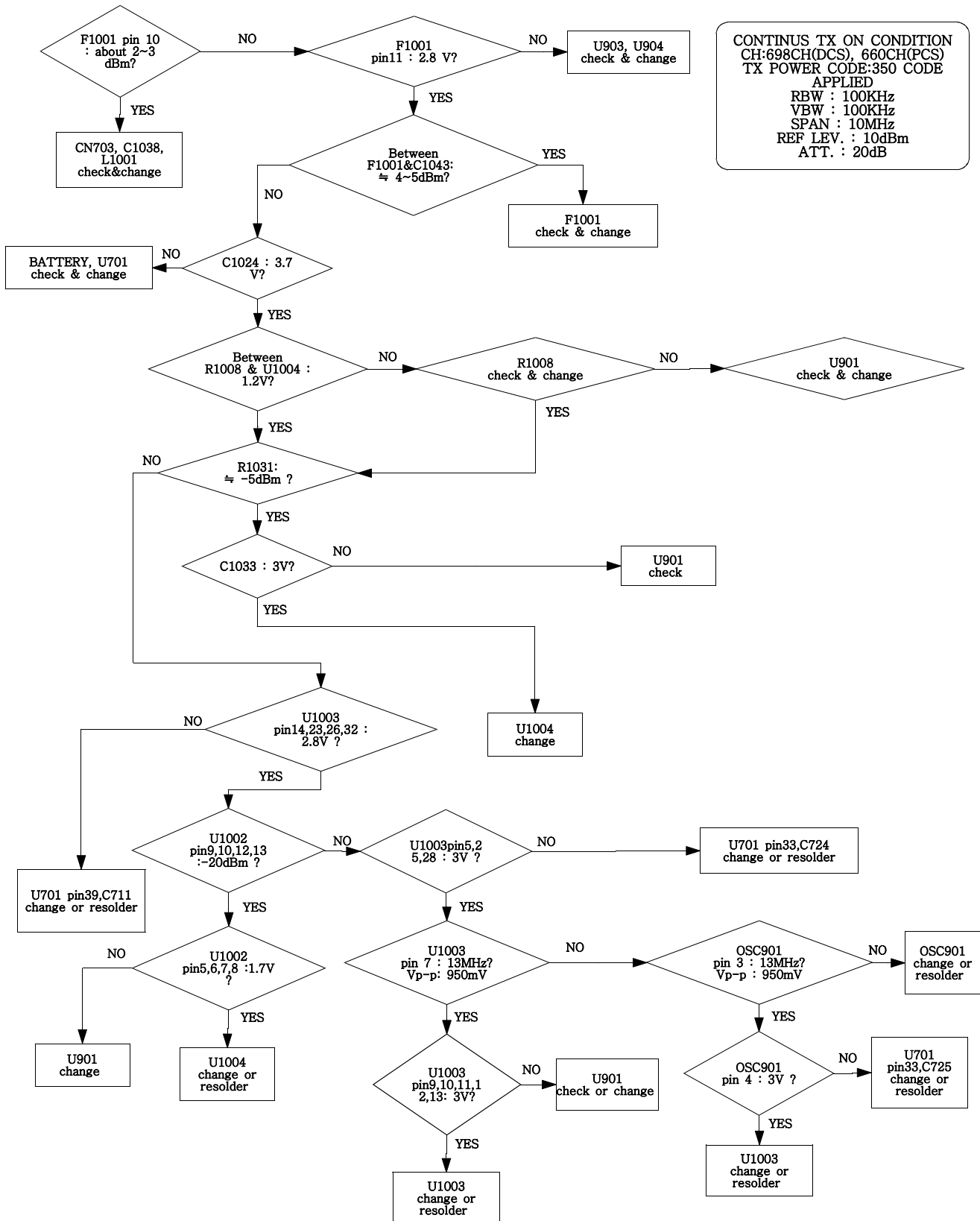


14. PCS Receiver



SGH-I700 Flow Chart of Troubleshooting

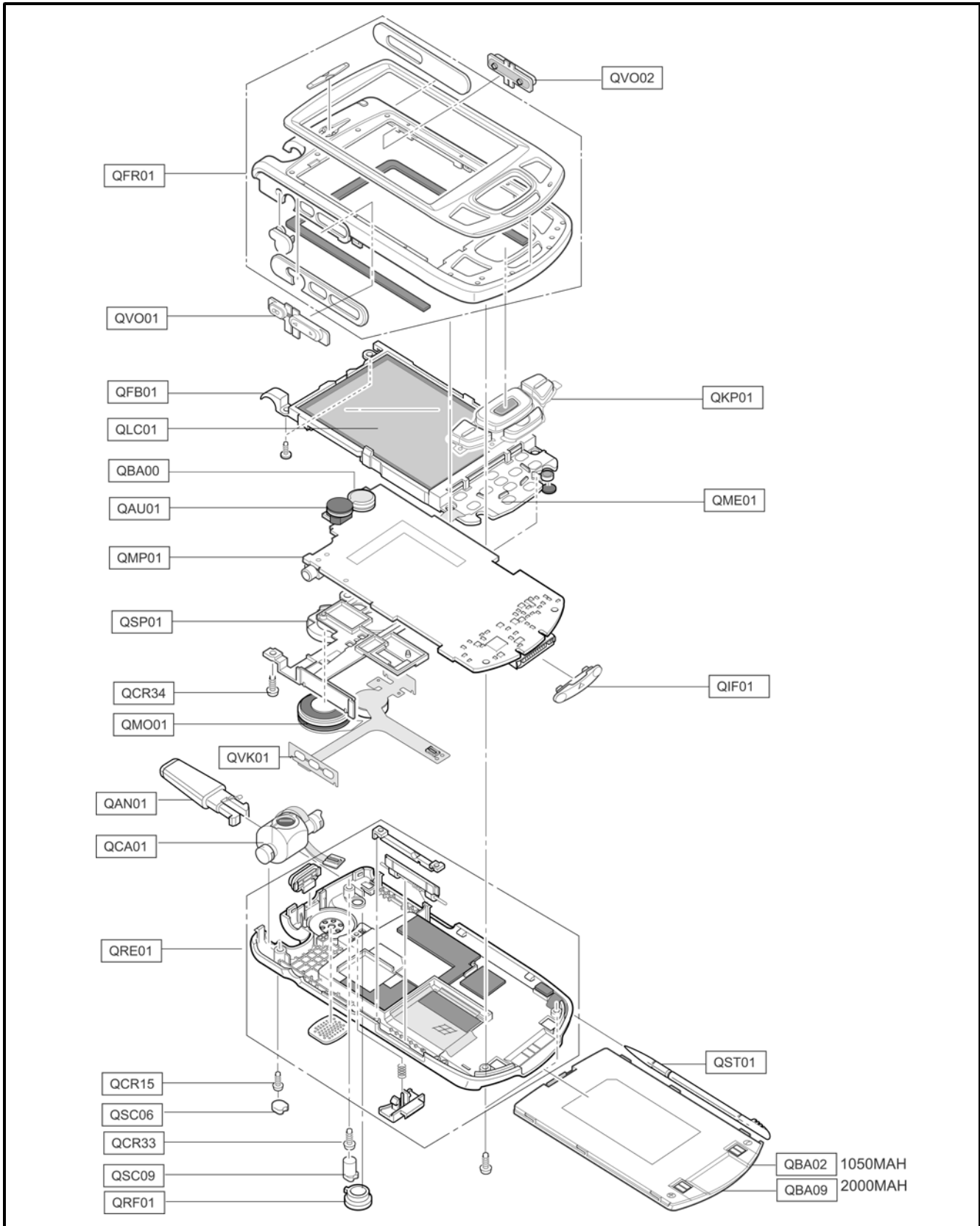
13. DPCS Transmitter



CONTINUS TX ON CONDITION
 CH:698CH(DCS), 660CH(PCS)
 TX POWER CODE:350 CODE
 APPLIED
 RBW : 100KHz
 VBW : 100KHz
 SPAN : 10MHz
 REF LEV. : 10dBm
 ATT. : 20dB

3. SGH-i700 Exploded View and its Parts list

1. Cellular phone Exploded View



2. Cellular phone Parts list

Location NO.		Description	SEC CODE	Remark
QFR01		FRONT COVER	GH75-03084A	
QVO02		POWER TRANS KEY	GH75-03083A	
QVO01		VOICE VOLKEY	GH75-03082A	
QFB01		LCD BRACKET	GH75-04279A	
QLC01		LCD	GH07-00455A	
QBA00		BATTERY	4302-001135	
QAU01		AUDIO RECEIVER	3009-001042	
QMP01		MAIN PBA	GH92-01523A	
QKP01		KEYPAD	GH75-03085A	
QME01		UNIT KEYPAD	GH59-00793A	
QMO01		MOTOR	GH31-00056A	
QCR34		SCREW	6001-001764	
QSP01		SPEAKER	3001-001425	
QAN01		ANTENNA	GH42-00311A	
QVK01		UNIT SIDE KEY	GH59-00794A	
QCA01		CAMERA	GH59-00792A	
QRE01		REAR COVER	GH75-03086A	
QCR15		SCREW	6001-001673	
QSC06		SCREW COVER L	GH72-12386A	
QSC09		SCREW COVER R	GH72-12389A	
QRF01		MOBILE CAP	GH72-14629A	
QIF01		IF COVER	GH72-15073A	
QCR33		SCREW	6001-001860	
QST01		STYLUS PEN ASSY	GH75-04100A	
QBA02		BATTERY 1050MAH	GH43-00964A	
QBA09		BATTERY 2000MAH	GH43-00965A	

3. Test Jig

[GH80-02298A]



3-1. RF Test Cable
(GH39-00090A)



3-2. Test Cable
(GH39-00237A)



3-3. Serial Cable



3-4. Power Supply Cable



3-5. Data Cable
(GH39-00186A)



3-6. Travel Charger
(GH44-00558A)



3-7. USB cable



3-8. JTAG cable



4. SGH-i700 MAIN Electrical Parts List

SEC Code	Design LOC
GH92-01523A	
GH41-00458A	
4302-001135	
GH68-02026A	
GH71-01052A	ANT1001
2203-002677	C1001
2203-001405	C1003
2203-000995	C1005
2203-000812	C1006
2203-001405	C1008
2203-000233	C1009
2203-005061	C101
2203-001405	C1010
2203-000233	C1012
2203-001405	C1013
2203-005288	C1016
2203-005288	C1017
2203-001385	C1018
2203-005061	C102
2203-001385	C1020
2203-005234	C1021
2203-005234	C1022
2404-001239	C1024
2203-000812	C1028
2203-005061	C103
2203-000812	C1030
2203-000812	C1031
2203-000438	C1033
2203-000995	C1038
2203-005061	C104
2203-000233	C1040
2203-000233	C1041
2203-000233	C1042
2203-000812	C1043
2203-000995	C1044
2203-005061	C105
2203-005061	C106
2203-005061	C107
2203-005061	C108

SEC Code	Design LOC
2203-005061	C109
2203-005061	C110
2203-005061	C111
2203-005061	C112
2203-005061	C113
2203-005061	C114
2203-005061	C115
2203-005061	C116
2203-005061	C118
2203-005061	C120
2203-005061	C121
2203-005061	C122
2203-005061	C123
2203-005061	C124
2203-005061	C125
2203-005061	C126
2203-005061	C127
2203-005061	C128
2203-005061	C129
2404-001151	C130
2203-005061	C131
2203-005061	C132
2203-005061	C133
2203-005061	C134
2203-005061	C135
2203-005061	C136
2203-005061	C137
2203-005061	C138
2203-005061	C139
2203-005061	C140
2203-005061	C141
2203-005061	C142
2203-005061	C143
2203-006093	C161
2203-005061	C162
2404-001086	C163
2203-005503	C164
2203-006091	C165
2203-005061	C166

SEC Code	Design LOC
2203-006093	C168
2203-000438	C169
2203-001405	C170
2203-001405	C171
2203-005061	C172
2203-000885	C173
2203-005061	C174
2203-005061	C201
2203-005061	C202
2203-006093	C203
2203-006093	C204
2203-005061	C212
2203-005061	C213
2203-005061	C214
2203-005061	C215
2203-005061	C216
2203-005061	C217
2203-005061	C218
2203-005061	C219
2203-005061	C220
2203-005061	C221
2203-005061	C222
2203-005061	C223
2203-005061	C224
2203-005061	C225
2203-005061	C226
2203-005061	C228
2404-001268	C229
2404-001268	C230
2203-005482	C231
2203-005061	C232
2203-005061	C233
2203-005061	C234
2203-005061	C235
2203-005061	C236
2203-005061	C237
2203-005061	C238
2404-001239	C301
2404-001239	C302

SEC Code	Design LOC
2404-001268	C303
2404-001268	C304
2404-001268	C305
2404-001268	C306
2404-001268	C307
2404-001268	C308
2203-000679	C309
2203-000940	C310
2203-005061	C311
2203-002443	C312
2203-005061	C313
2404-001101	C314
2203-005061	C315
2404-001239	C316
2203-005061	C317
2404-001268	C318
2404-001239	C319
2404-001268	C320
2203-005061	C321
2203-000438	C322
2203-005061	C323
2203-005061	C324
2203-005840	C325
2404-001268	C326
2404-001101	C327
2203-005840	C329
2404-001151	C330
2203-005061	C331
2404-001268	C332
2404-001268	C333
2203-005482	C334
2404-001339	C335
2404-001268	C336
2203-005061	C337
2203-006307	C338
2404-001268	C339
2404-001151	C340
2203-000585	C341
2404-001151	C342

SEC Code	Design LOC
2203-005482	C343
2404-001268	C344
2203-000550	C345
2203-005061	C346
2404-001268	C347
2404-001268	C351
2203-000438	C353
2203-002525	C354
2203-000438	C355
2203-005061	C356
2203-005061	C357
2203-005061	C358
2203-005061	C359
2203-005061	C401
2203-005144	C402
2404-001268	C403
2203-005481	C405
2203-005061	C406
2203-005061	C407
2404-001151	C408
2404-001268	C409
2404-001268	C410
2404-001268	C411
2404-001268	C412
2203-005061	C413
2203-005061	C414
2203-005061	C415
2203-005061	C416
2404-001151	C417
2203-000940	C418
2203-005061	C419
2203-005061	C420
2203-005571	C421
2203-005571	C422
2203-001259	C423
2404-001151	C426
2203-005065	C427
2203-006190	C429
2203-006190	C430

SEC Code	Design LOC
2203-005509	C431
2404-001151	C432
2404-001268	C433
2203-000940	C434
2203-005065	C435
2404-001268	C437
2203-005061	C438
2203-005061	C439
2203-005571	C440
2203-005571	C441
2203-005057	C442
2203-005057	C443
2203-005065	C450
2203-005509	C452
2203-005503	C457
2203-005065	C458
2203-005061	C459
2203-005503	C460
2203-005061	C462
2203-005065	C465
2404-001151	C470
2203-000438	C476
2203-000438	C477
2203-006190	C482
2404-001151	C484
2404-001151	C485
2203-005482	C501
2203-005571	C502
2203-005061	C503
2203-005061	C504
2404-001268	C505
2404-001268	C506
2404-001268	C507
2203-006053	C508
2203-005482	C509
2203-005061	C510
2203-006053	C511
2203-005061	C512
2203-005061	C513

SGH-I700 Electrical Parts List

SEC Code	Design LOC
2203-005482	C514
2203-005482	C515
2203-005482	C516
2203-005482	C517
2203-005061	C518
2203-005061	C519
2203-005061	C520
2203-005061	C521
2203-006113	C522
2203-000359	C524
2203-000359	C525
2203-000359	C526
2203-000359	C527
2203-000359	C528
2203-000359	C529
2203-000359	C530
2203-000359	C531
2203-005061	C532
2203-005061	C533
2203-005061	C538
2203-005061	C539
2203-006113	C540
2203-006113	C541
2203-006113	C542
2203-000812	C544
2203-000812	C549
2203-000812	C550
2203-005482	C601
2203-005482	C602
2203-000438	C604
2203-005065	C605
2404-001268	C606
2404-001268	C607
2203-005061	C608
2203-005061	C609
2203-005509	C610
2203-005509	C611
2203-005482	C612
2203-006093	C613

SEC Code	Design LOC
2404-001101	C616
2203-000438	C619
2203-000438	C620
2203-000438	C621
2203-000438	C622
2203-000812	C701
2203-005061	C702
2203-001598	C703
2203-005482	C704
2203-000812	C705
2203-000812	C706
2203-005061	C708
2203-001652	C711
2203-001598	C712
2203-000233	C715
2203-000254	C716
2203-006053	C717
2203-006053	C718
2203-001652	C719
2203-001652	C720
2203-005061	C721
2203-005061	C722
2203-005061	C723
2203-006053	C724
2203-006053	C725
2203-000254	C726
2203-005482	C741
2203-005496	C801
2203-005496	C802
2203-000254	C803
2203-000254	C804
2203-000254	C805
2203-000254	C806
2203-000254	C807
2203-000254	C808
2203-005061	C809
2203-001405	C810
2203-000679	C811
2203-000254	C812

SEC Code	Design LOC
2203-000628	C813
2203-005061	C814
2203-000628	C815
2203-005061	C816
2203-005061	C817
2203-000679	C818
2203-000836	C903
2203-000233	C905
2203-005496	C906
2203-005065	C907
2203-005061	C908
2203-000254	C909
2203-005480	C910
2203-005480	C911
2203-000254	C913
2203-000254	C914
2203-000254	C915
2203-000254	C916
2203-000233	C917
2203-005052	C918
2203-000233	C919
2203-000254	C921
2203-000254	C922
2203-000386	C923
2203-001412	C924
2203-000254	C925
2203-000254	C926
2203-000233	C927
3711-004642	CN301
3711-004642	CN302
3710-001105	CN401
3711-005225	CN501
3711-005159	CN503
3709-001251	CN601
3711-005225	CN602
3711-005183	CN603
3711-005285	CN604
3710-001732	CN605
3709-001298	CN701

SEC Code	Design LOC
3705-001255	CN703
0401-001052	D301
0404-001016	D302
0404-001016	D303
0404-001152	D304
0404-001152	D305
0404-001152	D306
0404-001167	D307
0403-001467	D308
0406-001150	D501
0406-001150	D502
0406-001150	D503
0406-001150	D504
0406-001150	D505
0406-001150	D506
0406-001150	D507
0406-001150	D508
0407-000115	D601
3722-002153	EAR401
2909-001191	F 1001
2904-001450	F 1002
2703-001751	L 1001
2703-001751	L 1002
2703-002558	L 1003
2703-002543	L 1004
2703-001708	L 1005
2703-001724	L 1006
2703-001242	L 101
2703-002409	L301
2703-000398	L302
2703-002346	L304
2703-002409	L305
3301-001105	L306
2703-001242	L401
2703-000300	L402
2703-001868	L403
3301-001105	L501
0604-001146	LED601
0601-001654	LED602

SEC Code	Design LOC
0601-001602	LED603
2804-001516	OSC101
2801-003747	OSC102
2801-004225	OSC401
2804-001492	OSC501
2804-001548	OSC502
2801-003747	OSC801
2809-001260	OSC901
0504-000172	Q101
0505-001217	Q102
0504-000168	Q103
0505-001454	Q104
0505-001454	Q105
0501-002202	Q106
0501-000225	Q401
0504-000167	Q402
0504-000167	Q601
0504-000167	Q602
0504-000167	Q603
0505-001217	Q604
0504-000167	Q605
0504-000168	Q704
2007-001288	R1002
2007-007008	R1003
2007-007008	R1004
2007-001288	R1005
2007-007008	R1006
2007-007008	R1007
2007-007107	R1008
2007-000171	R101
2007-001307	R1010
2007-001307	R1011
2007-000159	R102
2007-000162	R103
2007-000148	R105
2007-008263	R106
2007-000171	R112
2011-001264	R113
2011-001264	R114

SEC Code	Design LOC
2011-001264	R115
2011-001264	R116
2011-001264	R117
2007-000168	R119
2007-000162	R120
2007-000171	R123
2007-000171	R124
2007-000162	R125
2007-000148	R126
2007-000171	R127
2007-000171	R128
2007-000171	R129
2007-000171	R130
2007-000171	R131
2007-000171	R132
2007-000171	R133
2007-000162	R134
2007-000171	R135
2007-000171	R136
2007-000162	R137
2007-000162	R138
2007-000162	R139
2007-000171	R140
2007-007981	R144
2007-007590	R145
2007-007488	R146
2007-001325	R148
2007-000171	R151
2007-000171	R153
2007-000171	R154
2007-000148	R155
2007-000171	R156
2007-000162	R157
2007-000162	R158
2007-000162	R159
2007-000171	R160
2007-007142	R161
2007-007142	R173
2007-000162	R174

SGH-I700 Electrical Parts List

SEC Code	Design LOC
2007-007312	R175
2007-007142	R177
2007-007107	R202
2007-007107	R203
2007-007107	R204
2007-007107	R205
2007-007107	R206
2007-007107	R210
2007-000171	R218
2007-000171	R219
2007-000171	R220
2007-007107	R221
2007-000171	R222
2007-000171	R301
2007-000162	R302
2007-000169	R304
2007-000162	R307
2007-007589	R308
2007-000159	R309
2007-000141	R310
2007-000171	R311
2007-000171	R312
2007-000174	R313
2007-000171	R314
2007-000153	R315
2007-000148	R316
2007-007573	R318
2007-007014	R319
2007-000171	R321
2007-001308	R322
2007-003028	R323
2007-000167	R325
2007-007014	R326
2007-007334	R327
2007-000140	R328
2007-000169	R329
2007-000162	R330
2007-000153	R332
2007-000566	R333

SEC Code	Design LOC
2007-000162	R335
2007-008137	R342
2007-000148	R343
2007-007137	R347
2007-000167	R348
2007-000168	R349
2007-000162	R351
2007-000169	R353
2007-000162	R354
2007-000162	R356
2007-000169	R357
2007-000171	R401
2007-000171	R402
2203-001383	R403
2007-000171	R405
2007-001119	R406
2007-000140	R407
2007-000162	R408
2007-000171	R409
2007-000171	R410
2007-007312	R412
2007-000171	R413
2007-000148	R414
2007-007875	R415
2007-000171	R416
2007-000171	R417
2007-007312	R420
2007-007312	R422
2007-007312	R423
2007-000171	R424
2007-000171	R425
2007-000171	R428
2007-000171	R429
2007-007138	R430
2203-001383	R431
2007-007139	R434
2007-000171	R448
2007-008213	R449
2007-001119	R450

SEC Code	Design LOC
2007-000145	R451
2007-000162	R452
2007-000140	R453
2007-001335	R454
2007-000171	R455
2007-000162	R456
2007-000171	R458
2007-007139	R502
2007-000172	R504
2007-001284	R505
2007-007132	R506
2007-007311	R507
2007-007107	R508
2007-007309	R512
2007-007142	R513
2007-007139	R514
2007-007107	R515
2007-000171	R519
2007-000148	R525
2007-007136	R526
2007-000171	R528
2007-000157	R539
2007-000140	R540
2007-000140	R541
2007-000171	R543
2007-007107	R601
2007-007981	R602
2007-007142	R603
2007-000148	R604
2007-000171	R605
2007-000148	R606
2007-007014	R607
2007-000171	R608
2007-000174	R609
2007-000174	R610
2007-000165	R611
2007-000174	R612
2007-000140	R613
2007-000140	R614

SEC Code	Design LOC
2007-000147	R615
2007-000147	R618
2007-000147	R619
2007-000162	R620
2007-000173	R621
2007-000140	R623
2007-000140	R624
2007-007311	R625
2007-007107	R626
2007-000171	R627
2007-000140	R628
2007-007107	R629
2007-007001	R630
2007-000140	R631
2007-007001	R632
2007-000140	R633
2007-007001	R634
2007-000140	R635
2007-007001	R636
2007-000162	R637
2007-000171	R641
2007-000171	R644
2007-000171	R645
2007-007001	R646
2007-007001	R650
2007-007001	R651
2007-000143	R652
2007-007001	R653
2007-000162	R662
2007-000162	R664
2007-000147	R666
2007-000171	R701
2007-000172	R703
2007-000171	R705
2007-000758	R706
2007-000160	R707
2007-000171	R708
2007-000172	R709
2007-000171	R712

SEC Code	Design LOC
2007-000171	R713
2007-000171	R714
2007-001319	R719
2007-000171	R721
2007-000171	R722
2007-000157	R801
2007-000170	R802
2007-000157	R803
2007-007308	R805
2007-007308	R807
2007-000171	R809
2007-000171	R810
2007-000171	R811
2007-000171	R812
2007-000171	R813
2007-000162	R817
2007-000171	R818
2007-008137	R901
2007-000162	R902
2007-007200	R903
2007-007200	R904
2007-000162	R905
2007-000162	R906
2007-000172	R907
2007-001308	R908
2007-002797	R909
2007-000138	R911
2007-000148	R912
2007-000171	R913
2007-000171	R914
3404-001143	SW101
1405-001093	TH601
1405-001093	TH602
1405-001093	TH603
1405-001093	TH604
1405-001093	TH605
1405-001093	TH608
1405-001093	TH609
1405-001093	TH610

SEC Code	Design LOC
1405-001093	TH613
1405-001093	TH614
1405-001093	TH615
1405-001093	TH616
1405-001093	TH617
1405-001093	TH618
1405-001093	TH619
1405-001093	TH620
1405-001093	TH621
1405-001093	TH622
1405-001093	TH623
1405-001093	TH624
1405-001093	TH625
1205-002185	U1001
1205-002268	U1002
1209-001434	U1003
1201-001889	U1004
2007-000173	U1007
0801-002294	U104
0801-000794	U105
0801-002345	U106
0801-000796	U107
0902-001665	U108
1203-001511	U109
0801-000796	U110
0801-000794	U111
1204-002161	U112
1106-001443	U201
1107-001467	U202
1105-001579	U203
1107-001467	U204
0801-002540	U205
1203-002690	U206
1203-001256	U301
0505-001376	U302
1203-002740	U303
1203-001702	U304
1203-001285	U305
1203-002251	U306

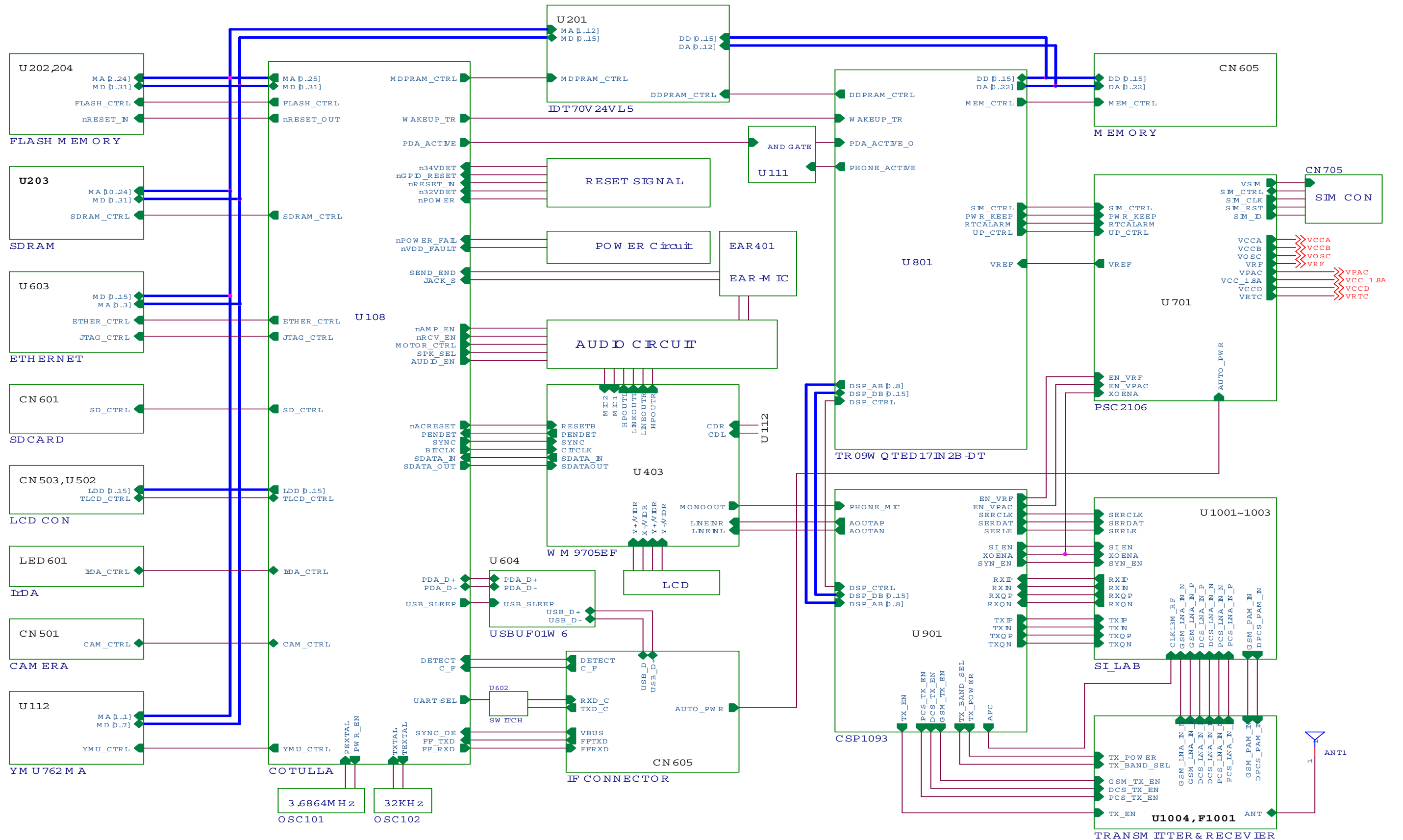
SGH-I700 Electrical Parts List

SEC Code	Design LOC
0505-001423	U307
1203-002783	U308
1203-001518	U309
1203-002368	U310
1203-002155	U311
1203-001256	U312
1203-001917	U314
0801-000796	U315
1203-002785	U316
1203-002785	U317
0801-002294	U318
0801-002294	U319
0801-002294	U320
0801-002294	U321
0505-001408	U322
1203-003461	U323
1203-001720	U401
1203-001518	U402
1205-002149	U403
1201-001900	U404
1201-001725	U405
1001-001183	U407
1001-001152	U408
1201-001920	U501
1301-001624	U502
3409-001082	U503
1203-002187	U504
1203-002187	U505
1203-002250	U601
1001-001183	U602
1203-001518	U603
0407-001038	U604
1201-001920	U605
1203-003218	U606
1203-002902	U701
1109-001260	U703
GH09-00025A	U801
1209-001219	U802
0801-000794	U803

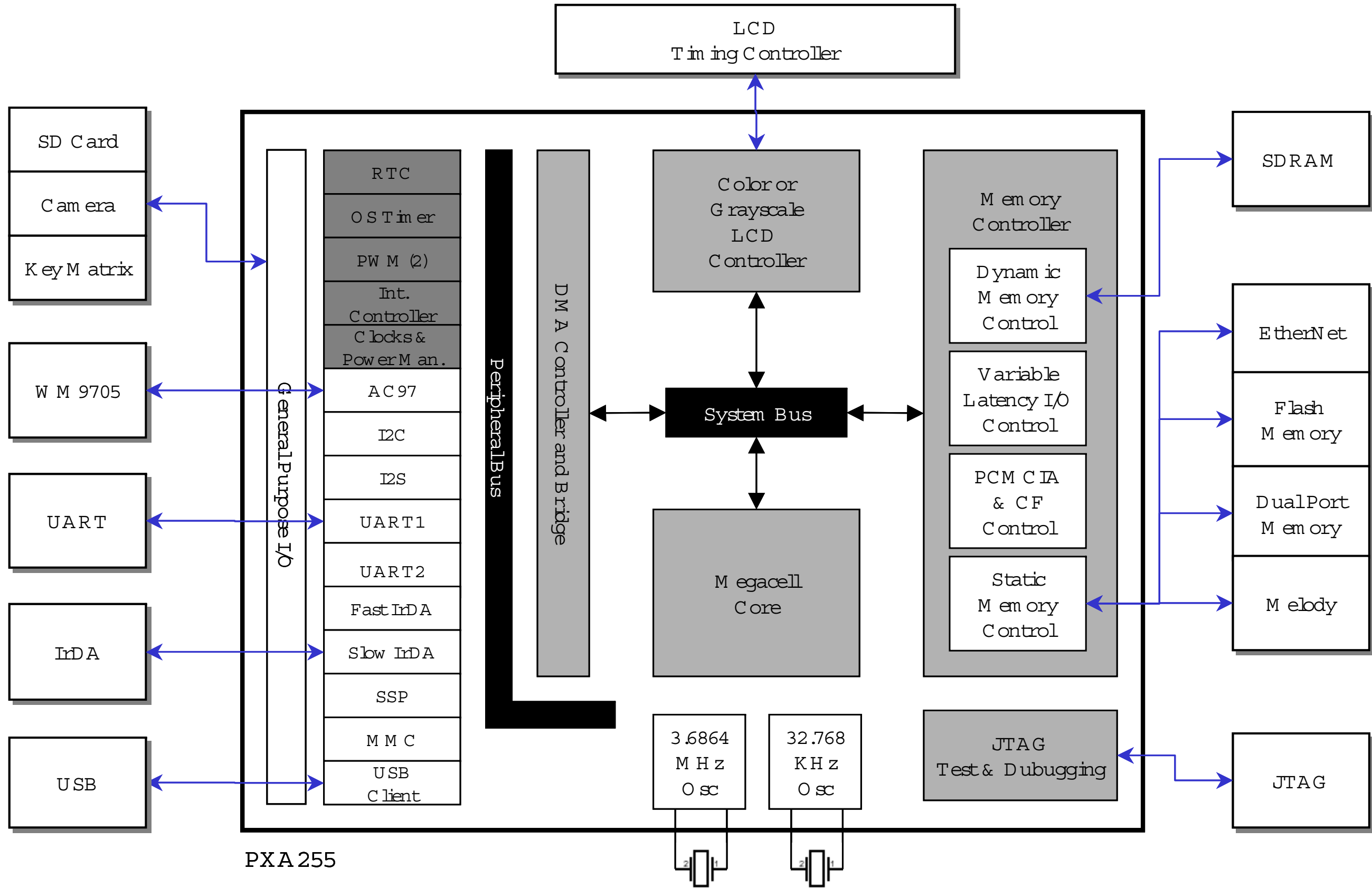
SEC Code	Design LOC
1204-001984	U901
0504-001042	U902
0504-001042	U903
0504-001042	U904
1405-001082	V501
0406-001150	V601
0406-001150	V606
0406-001150	V607
0406-001150	V608
0403-001387	ZD301
0406-001150	ZD402
0406-001150	ZD403
0406-001150	ZD404
0406-001150	ZD405
0406-001150	ZD406
0406-001150	ZD407
0406-001150	ZD408
0406-001150	ZD409
0406-001150	ZD410
0406-001150	ZD411
0406-001084	ZD601
0406-001084	ZD602
0406-001084	ZD603
0406-001084	ZD604
0406-001084	ZD605

5. SGH-i700 Block Diagrams

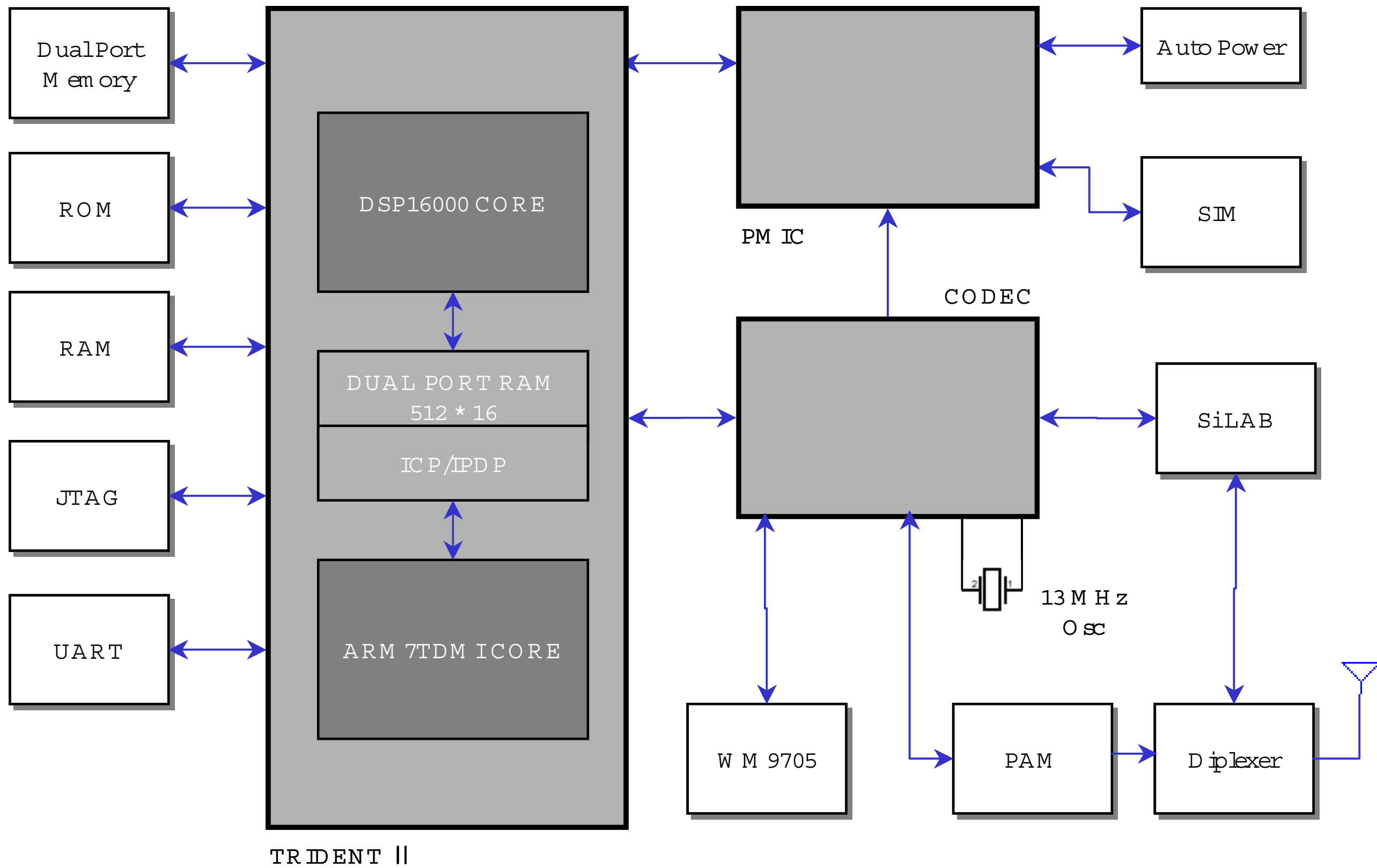
5-1. SGH-i700 Main Block Diagram



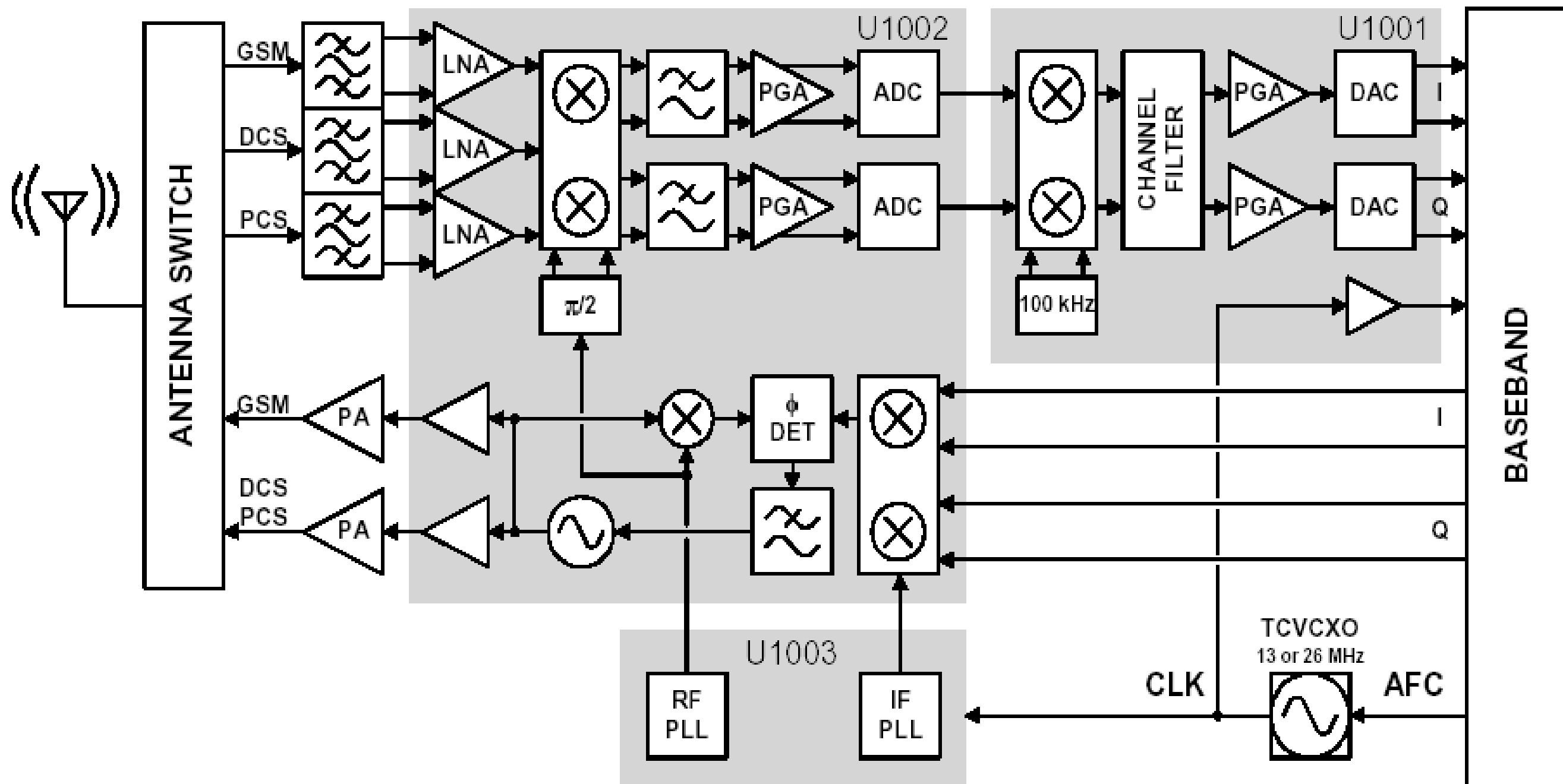
2. SGH-i700 PDA Block Diagram



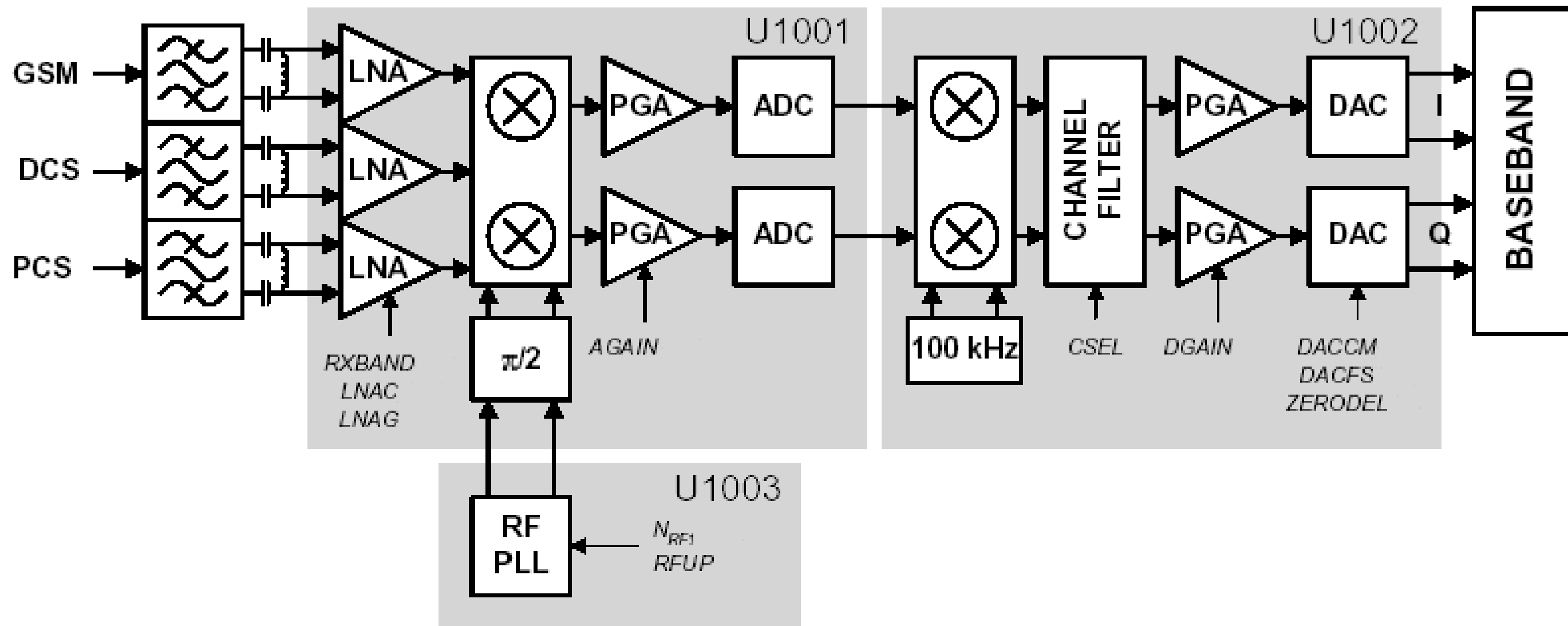
5-3. SGH-i700 Phone Block Diagram



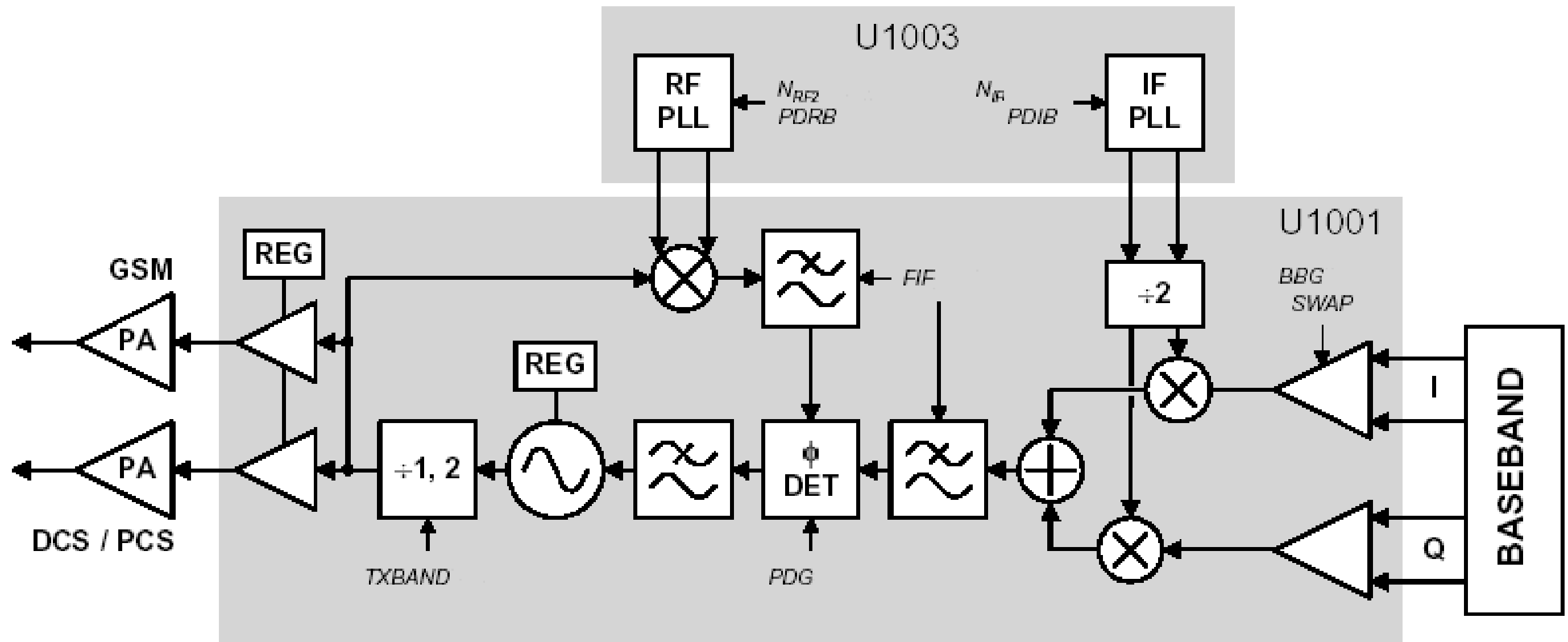
5-4. SGH-i700 RF Transceiver Block Diagram



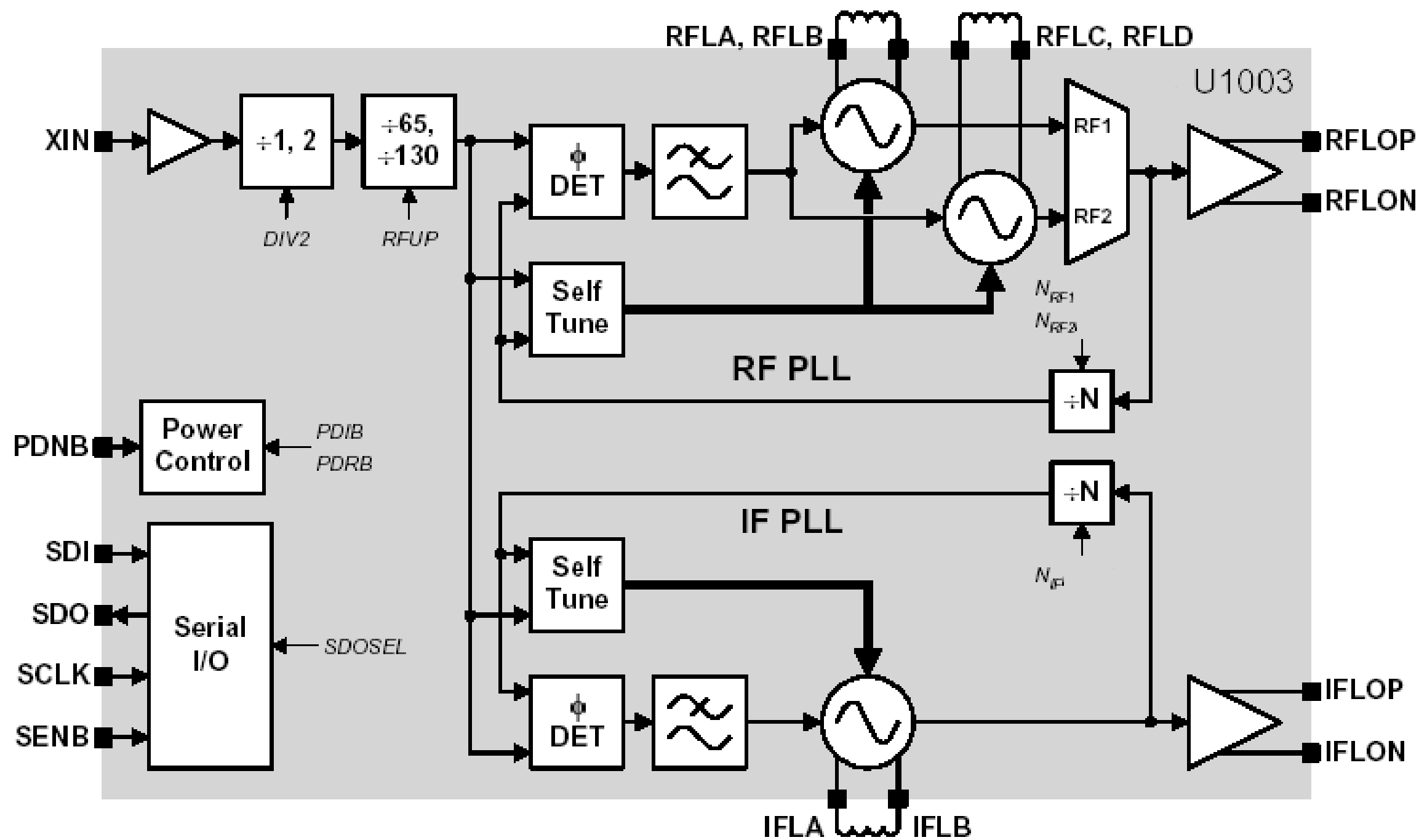
5-5. SGH-i700 RF Receiver Block Diagram



5-6. SGH-i700 RF Transmit Block Diagram



5-7. SGH-i700 RF Synthesizer Block Diagram



2. Main Bottom Diagram

